

JG-INDUSTRIES

# 石家庄精工水泵有限公司

SHIJIAZHUANG SEIKO PUMPS CO.,LTD



品质稳固 专业承诺

博大精深——致力开拓与创新

Profound & Intensive Devote to Exploration and Innovation



精诚团结 科技创新

United with good faith, innovate with scientific technology

敬业务实 步步领先

Respect work and deal with concrete matters, lead step by step

力争上游 造福社会

Do all one can to go upward, benefit the society

勇于攀登 超越自我

Brave in climbing, surmount self



## 公司简介 ✓



石家庄精工水泵有限公司是国内大型工业泵专业制造企业，公司是集科研、设计、制造、销售、服务于一体的渣浆泵、污水泵、清水泵等大型综合性泵业公司，是国内渣浆泵行业的龙头企业。我公司是生产高效耐磨渣浆泵、脱硫泵、挖泥泵、抽砂泵、泥浆泵等杂质泵整机及配件的省级机械系统先进企业，市属骨干企业。公司下设铸造车间、机加工车间、锻焊车间、热处理车间、总装车间、检测性能实验室及成品库、备件库等。经过多年的市场开拓，我公司已经形成较为强大的市场辐射面。产品遍及全国30个省、市的电力、航道疏浚、煤炭、冶金、化工等行业；国际市场的占有份额不断提升，产品已出口北美、南美、欧洲、非洲、东南亚、中亚、北亚、东亚以及中东等五十多个国家和地区。

石家庄精工水泵有限公司在杂质泵的研制和应用方面有着多年的经验，在不断吸收国内外先进技术的基础上形成了性能范围覆盖面完善的产品系列。生产的渣浆泵系列主要有ZJ系列、ZJL系列、ZJD系列、MS系列、HS系列、LS系列；电厂浆液循环泵系列主要有TL/TLR系列、DT系列；船用泵系列：GS系列砂砾泵、WN系列挖泥泵；FGD辅助系统用泵有WFB系列、IH系列、IR系列、IHF系列、GC系列、D/DG系列等产品。

您的满意一直是我们的追求。公司非常注重服务与技术、服务与业务的结合，实现增值服务。随着企业的稳健发展，石家庄精工水泵有限公司建立和完善了销售服务网络，如今公司产品正高效的运行在诸如：国电电力、华电电力、大唐电力、首钢钢厂、鞍钢矿业、淮北矿业等全国重点工程项目和标志性建筑上。

石家庄精工水泵有限公司愿以优质的产品、完善的服务、良好的信誉为客户服务。愿与您共勉，真诚合作；为推动社会进步，创造市场繁荣而不懈努力。



# Company Profile

Shijiazhuang Seiko Pumps Co. Limited is a professional manufacturing corporate of large domestic industrial pumps, the company is a research, design, manufacture, sales and service in one slurry pump, sewage pump, water pump, and other large-scale comprehensive pump company, is a leading corporate in slurry pump industry of domestic. The company is a provincial advanced corporate of mechanical systems to produce efficient wear-resistant slurry pump, desulphurization pump, dredging pump, gravel pump, mud pump and other impurities pump machine and accessories, is the city-owned backbone corporate. Companies consists of foundry workshop, machine workshop, forges welding workshop, heat treatment workshop, assembly workshop, the laboratory of detection performance and finished products, spare parts shop. After years of market development, the company has formed a strong market. Its products are popular among all places of China and they are exported to over fifty countries and districts, such as the south of America, the north of America, East Asia, West Asia, and Africa.

Shijiazhuang Seiko Pumps Co. Limited has many years of experience in the development and application of the impurities pump, The production of slurry pump series : ZJ series, ZJL series, ZJD Series, MS Series, HS Series, LS Series; The power plant slurry circulating pump series : TLR / TLR Series, DT Series; Marine pumps Series: GS series gravel pump, WN Series Dredging pump; FGD pumps: WFB series, IH Series, IR Series, IHF Series, GC Series and D / DG series.

Your satisfaction is our pursuit. Company has great emphasis on service and combination of technologies, services and business to achieve value-added services. Shijiazhuang Seiko Pumps Co. Limited has established and improved the sales and service network with the steady development, the company's products are now efficient operation on the national key projects and landmark buildings, such as: GD Power, Huadian Power, Datang Power, Shougang Steel, Anshan Iron and Steel Mining and Huaibei mining

Shijiazhuang Seiko Pumps Co. Limited willing to provide customers with high-quality products, perfect service, good reputation, willing to work with you to encourage each other, and cooperate in good faith, unremitting efforts to promote social progress and create market prosperity.

# MS 型渣浆泵

## MS Slurry Pump

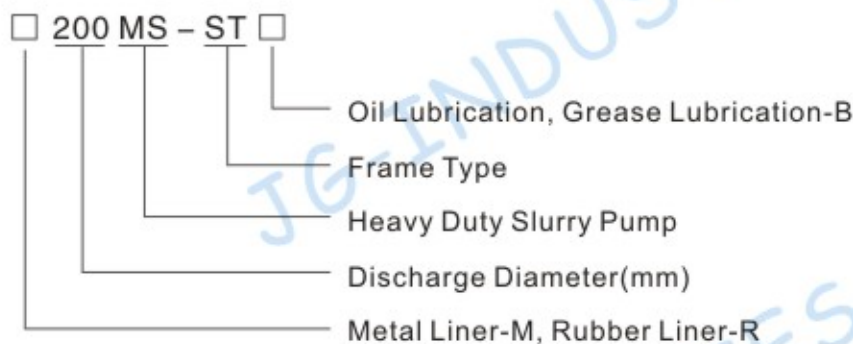
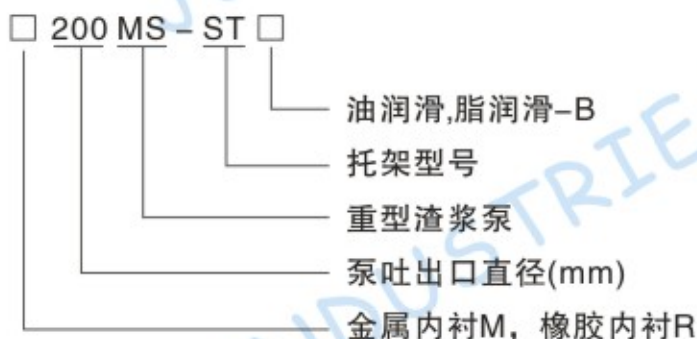
### 概述General

我公司在渣浆泵的研制和应用方面有着多年的成熟经验，并在引进吸收国内外先进技术的基础上，形成了性能范围覆盖面完善的产品系列。近年来采用CFD、CAE等现代设计方法研制开发了我国第三代渣浆泵——MS型系列渣浆泵，拥有多项专有技术。MS型系列渣浆泵可广泛适用于冶金、矿山、电厂、化工等行业中，该系列产品具有结构合理、运行可靠、效率高、寿命长等特点。

SEIKO PUMPS has the successful experience of many years in the making and application of slurry pump. Meanwhile, based on the advanced technology of international, formed complete product series covering full range for the application.

Recent years, developed the Third-Generation of MS Series Slurry Pump by using CFD and CAE Design Software. MS series pump can be applied for metallurgy, mines, power plants and chemical industry. This series features of reasonable construction, high efficiency, reliable operation, long service life.

### 型号意义Notation





### 产品特点 Application And Feature

MS型泵为悬臂、卧式离心渣浆泵。适用于冶金、矿山、煤炭、电力、建材等工业部门输送强磨蚀、高浓度渣浆。该类型泵也可以多级串联使用。

MS型泵的泵体具有可更换的耐磨金属内衬或橡胶内衬，叶轮采用耐磨金属或橡胶材料。

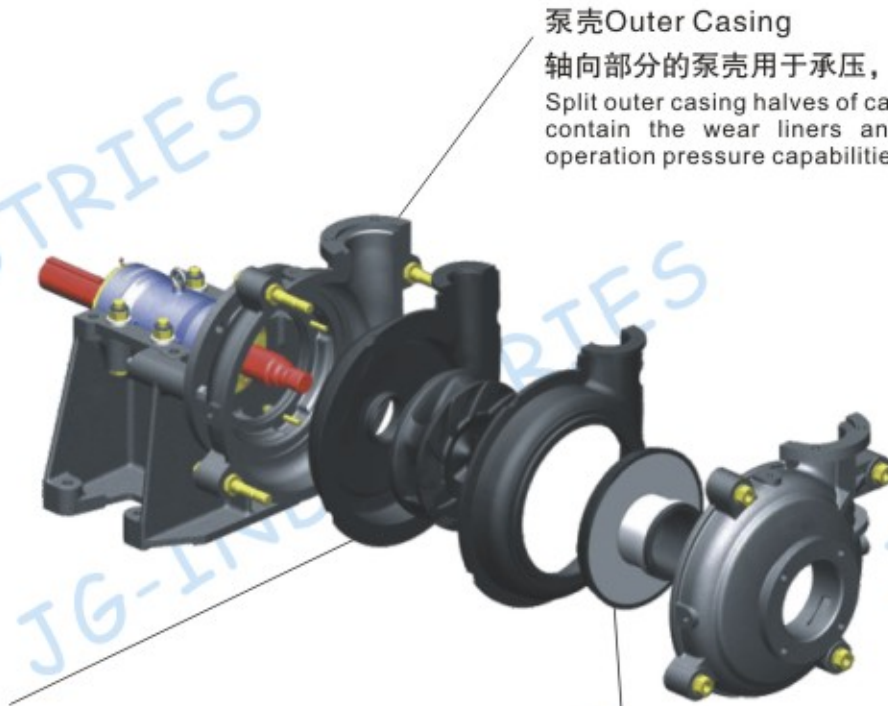
MS型泵的轴封可用填料密封、离心式密封或机械密封。泵的吐出口位置可根据需要按45°间隔，旋转八个不同的角度安装使用，以满足不同用户现场的需求。传动方式有V型三角带、弹性联轴器、齿轮减速箱、液力耦合器、变频、可控硅调速等多种传动方式，其中弹性联轴器和V型三角带成本低，拆装方便，应优先考虑采用。

Type MS pumps are cantilevered, horizontal, centrifugal slurry pumps. They are designed for the handling abrasive, high density slurries in the metallurgical, mining, coal, power, building material and other industrial departments, etc. the pumps of this type also may be installed in multistage series.

The frame plates for type MS pumps has interchangeable, hard metal or pressure moulded elastomer liners. The impellers are made of hard metal or pressure moulded elastomer liners.

The shah seals for type MS pumps can be packing seal ,centrifugal seal or mechanical seal. The discharge branch can be positioned at intervals of 45 degrees by request and oriented to any eight positions to suit installations and applications. There are many drive modes for option, like V-Belt, flexible coupling, gearbox, hydraulic coupler variable frequency, silicon controlled speed etc. Among them , the flexible shaft coupling drive and V-Belt drive feature of low cost and easy installation, priority is advised to give to these two types of drives.

## 结构设计 Construction Design



### 泵壳Outer Casing

轴向部分的泵壳用于承压，内衬用于耐磨。  
Split outer casing halves of cast or ductile iron contain the wear liners and provide high operation pressure capabilities.

### 叶轮 Impeller

叶轮可以是橡胶或金属。背叶片减小密封压力同时可以最大限度地减少回流。铸造叶轮螺纹更适用于渣浆工况。

The impeller may be either moulded elastomer or hard metal. Deep side sealing vanes relieve seal pressure and minimize recirculation. Cast-in impeller threads are better suited for slurries.

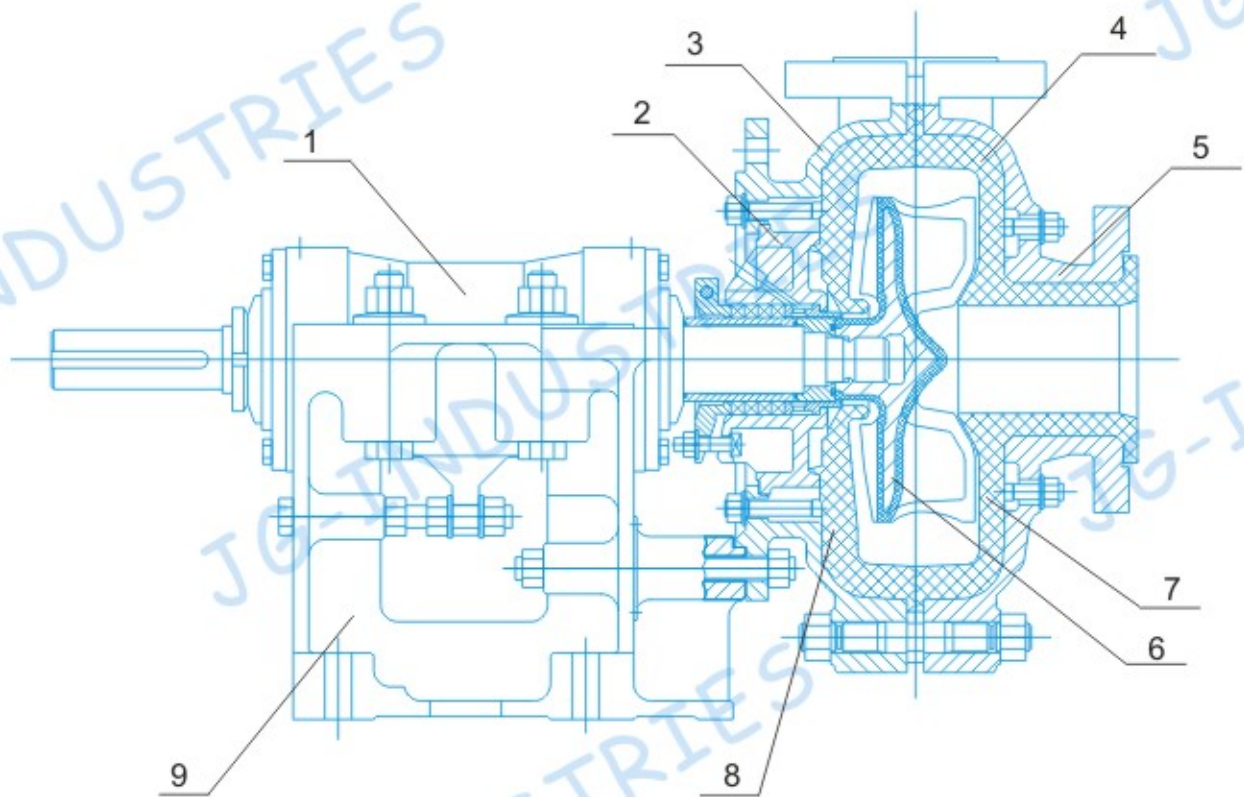
金属内衬配合端面具有一定的锥度，保证装配过程中精确对准，并保证部件易于拆卸或更换。

Mating faces in hard metal liners are tapered to allow positive alignment during assembly and allow components to be easily removed for replacement.



### MS 型渣浆泵结构图

Structural Drawing of MS Slurry Pumps



1、轴承组件bearing assembly

2、填料箱stuffing box

3、泵 体volute

4、护 套Liner

5、泵 盖Top casing

6、叶 轮Impeller

7、前护板Front plate liner

8、后护板Back plate liner

9、托 架Bracket

## 轴封模块设计 Shaft seal Module Design

MS系列泵可采用多种轴封型式：副叶轮动力密封、填料密封、机械密封及各类特殊组合型密封。

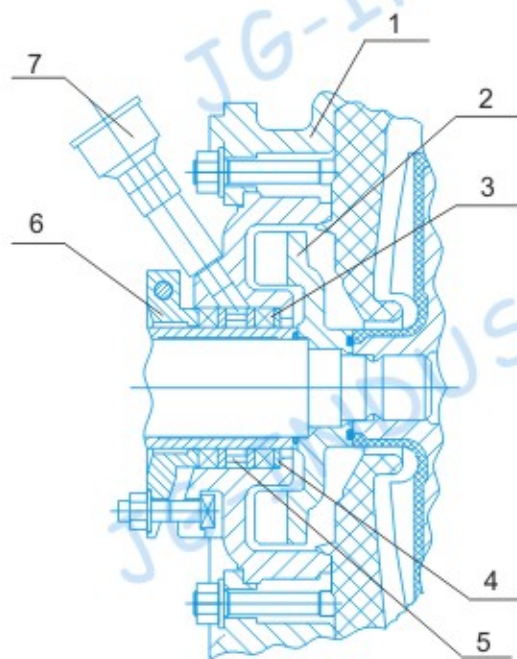
Type MS slurry pump adopt many kinds of sealing systems: expeller dynamic seal, packing seal, mechanical seal and all sorts of special combined seals.

### 副叶轮动力密封

利用叶轮与串联的副叶轮产生的压力密封，填料或唇口密封圈作为停车密封。

Expeller dynamic seal

Use pressure seal produced by impeller and expeller in series, packing or lip sealing ring for shut down seal.



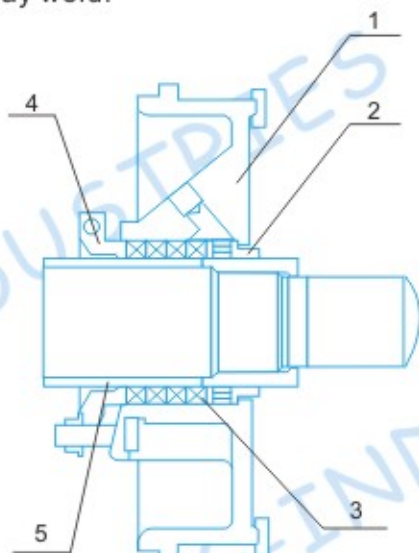
副叶轮密封  
Expeller Seal

序号 No	名称 Description	材料代号 Material Code	ASTM代号 ASTM Code
1	减压盖 Release Gland	KB04	25%Cr
2	副叶轮 Expeller	KB04	25%Cr
3	填料 Packing	聚四氟乙烯	PTFE
4	填料垫 Packing Gasket	1Cr18Ni9Ti	321
5	水封环 Lantern Ring	1Cr18Ni9Ti	321
6	填料压盖 Packing Gland	HT200	NO.30A
7	油杯 Oil Cup	Q235	A570Gr.C

## 填料密封 Packing Seal

常规轴封形式，适用于各种工况条件，可配用聚四氟乙烯填料、石墨填料等特殊材质；用于腐蚀性或高温条件下，可配用喷陶瓷轴套，适用于强磨蚀工况。

The routine sealing systems are suitable for various conditions and can be used in the corrosion or high temperature conditions such as polytetrafluomethylene packing, graphite packing and etc. It also can be used in strong abrasive condition duty with shaft ceramic sleeve of spray weld.



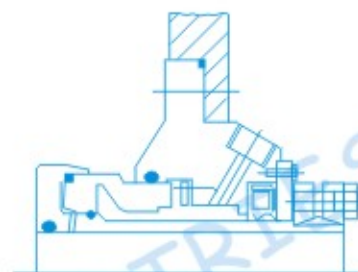
序号 No	名称 Description	材料代号 Material Code	ASTM代号 ASTM Code
1	填料箱 Packing Box	KB04	25%Cr
2	前水封环 Front Lantern Ring	1Cr18Ni9Ti	321
3	填料 Packing	聚四氟乙烯	PTFE
4	填料压盖 Packing Gland	HT200	NO.30A
5	轴套 Shaft Sleeve	KS81	420

填料密封 Packing Seal

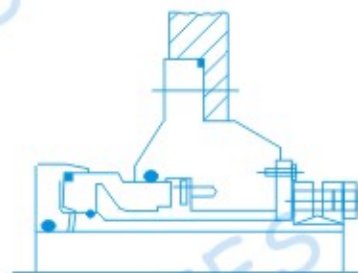
## 机械密封 Mechanical Seal

国际领先的密封技术，无泄漏的密封效果，集装式结构，安装与更换方便，不同的结构型式适应不同的工况条件，GRJ型用于浆液不允许稀释工况，HRJ型用于浆液允许稀释工况。磨擦副材料采用高硬度陶瓷及合金材料，机械密封和密封箱设计与配合符合介质流动状态，因而具有较高的抗磨性和抗震性，在各种恶劣工况下均能保证顾客满意的密封效果。

The word-advanced sealing technology with the effect of no-leakage. The intergrated structure make the installation and replacement essier. Different structures are applied for various wording conditions, GRJ type is used for liquid which is not allowed diluted, and HRJ type is used for liquid allowed diluted. High hardness ceramic and alloy are adopted for material of friction parts. Design & matching of mechanical seal & sealing box is suitable for fluid state. It possesses high abrasive resistance & shakeproof to guarantee that sealing effect can be satisfied by customers in various conditions.



GRJ型机械密封 GRJ Mechanical Seal



HRJ型机械密封 HRJ Mechanical Seal

MS型渣浆泵性能参数 Type MS Slurry pump selection performance

型号 Type	流量 Capacity Q (m³/h)	扬程 Head H (m)	转速 Speed n (r/min)	必需汽 蚀余量 NPSHr (m)	效率 Efficiency η (%)	轴功率 Shaft Power P (kw)	配用电机 Mating motor		重量 Weight (kg)	泵外形尺寸 (长×宽×高) Overall dimensions L×W×H (mm)	口径 Dia. of pump	
							功率 Power (kw)	规格 规格 Specif			吸入 Inlet (mm)	吐出 Outlet (mm)
(R)20MS-B	3.6	7	1200	3.2	20	0.34	2.2	Y100L1-4	91	583×362×368	38	25
	7.56	6			30	0.41						
	11.52	5			30	0.52	1.5					
(R)20MS-B	4.32	9.4	1400	3.2	20	0.55	1.5	Y100L1-4	91	583×362×368	38	25
	8.28	8.5			30	0.64						
	12.24	7			30	0.78	2.2					
(R)20MS-B	4.68	12	1600	3.2	20	0.77	1.5	Y90S-2	91	583×362×368	38	25
	8.64	11.5			30	0.90	2.2	Y90L-2				
	12.6	10			30	1.2	3	Y100L-2				
(R)20MS-B	5.04	15.4	1800	3.2	20	1.06	2.2	Y90L-2	91	583×362×368	38	25
	9.36	14.6			30	1.24	3	Y100L-2				
	13.68	13			30	1.61	4	Y112M-2				
(R)20MS-B	5.4	19	2000	3.2	20	1.4	3	Y100L-2	91	583×362×368	38	25
	10.08	18			30	1.65						
	14.4	16.5			30	2.16	4	Y112M-2				
(R)20MS-B	5.76	21	2100	3.2	20	1.65	2.2	Y90L-2	91	583×362×368	38	25
	10.08	20			30	1.83	3	Y100L-2				
	14.76	18			30	2.41	4	Y112M-2				
(R)20MS-B	5.76	23	2200	3.2	20	1.8	3	Y100L-2	91	583×362×368	38	25
	10.44	22			30	2.08						
	15.12	20			35	2.36	4	Y112M-2				
(R)20MS-B	5.76	25	2300	3.2	20	1.96	3	Y100L-2	91	583×362×368	38	25
	10.8	24			30	2.35						
	15.48	22			35	2.65	4	Y112M-2				
(R)20MS-B	6.12	27.3	2400	3.2	20	2.28	4	Y112M-2	91	583×362×368	38	25
	11.16	26			30	2.63						
	15.84	24			35	2.96	5.5	Y132S1-2				
(R)20MS-B	6.12	29.7	2500	3.2	20	2.48	4	Y112M-2	91	583×362×368	38	25
	11.52	28.3			30	2.96						
	16.56	26			35	3.35	5.5	Y132S1-2				
(R)20MS-B	6.48	32	2600	3.2	20	2.82	4	Y112M-2	91	583×362×368	38	25
	11.52	30.8			30	3.22						
	16.56	28.5			35	3.67	5.5	Y132S1-2				
(R)20MS-B	6.48	34.8	2700	3.2	20	3.07	5.5	Y132S1-2	91	583×362×368	38	25
	11.88	33.2			30	3.58						
	17.28	30.6			35	4.11	7.5	Y132S2-2				
(R)20MS-B	6.48	37.1	2800	3.2	20	3.27	5.5	Y132S1-2	91	583×362×368	38	25
	11.88	35.8			30	3.86						
	17.28	33.4			35	4.49	7.5	Y132S2-2				
(R)20MS-B	6.48	40.5	2920	3.2	20	3.57	5.5	Y132S1-2	91	583×362×368	38	25
	12.24	39.2			30	4.36						
	18	36.5			35	5.11	7.5	Y132S2-2				
(R)20MS-B	6.48	43	3000	3.2	20	3.79	5.5	Y132S1-2	91	583×362×368	38	25
	12.24	41.5			30	4.61						
	18	38.5			35	5.39	7.5	Y132S2-2				
(R)20MS-B	6.48	46	3100	3.2	20	4.06	7.5	Y132S2-2	91	583×362×368	38	25
	12.6	44.5			30	5.09						
	18.72	41.6			35	6.06	11	Y160M1-2				
(R)20MS-B	6.48	49	3200	3.2	20	4.32	7.5	Y132S2-2	91	583×362×368	38	25
	12.6	47.5			30	5.43	11	Y160M1-2				
	18.72	44			35	6.41	15	Y160M2-2				
20MS-B	6.84	55.5	3400	3.2	20	5.17	7.5	Y132S2-2	91	583×362×368	38	25
	14.76	53			35	6.09	11	Y160M1-2				
	19.44	50.2			40	6.64	15	Y160M2-2				
20MS-B	6.84	62	3600	3.2	20	5.77	11	Y160M1-2	91	583×362×368	38	25
	14.76	59.6			35	6.84						
	20.88	56.3			40	8	15	Y160M2-2				
20MS-B	6.48	69	3800	3.2	20	6.43	11	Y160M1-2	91	583×362×368	38	25
	15.12	66.7			35	7.85						
	21.6	63			40	9.26	15	Y160M2-2				

MS型渣浆泵性能参数 Type MS Slurry pump selection performance

型号 Type	流量 Capacity Q (m³/h)	扬程 Head H (m)	转速 Speed n (r/min)	必需汽 蚀余量 NPSHr (m)	效率 Efficiency η (%)	轴功率 Shaft Power P (kw)	配用电机 Mating motor		重量 Weight (kg)	泵外形尺寸 (长×宽×高) Overall dimensions L×W×H (mm)	口径 Dia. of pump	
							功率 Power (kw)	规格 规格 Specif			吸入 Inlet (mm)	吐出 Outlet (mm)
20MSH-C	5.04	37.4	1400		10	5.2	7.5	Y132M-4	318	759×540×508	38	25
	10.08	37			18	5.7	11	Y160M-4				
	15.12	36.2			25	6	15	Y160L-4				
20MSH-C	5.26	40.7	1460		10	5.9	7.5	Y132M-4	318	759×540×508	38	25
	10.44	40.3			28	6.4	11	Y160-4				
	15.48	39.5			24	7	15	Y160L-4				
20MSH-C	5.4	43	1500		10	6.4	11	Y160M-4	318	759×540×508	38	25
	10.44	42.5			18	6.7	15	Y160L-4				
	15.48	42			24	7.4	18.5	Y180M-4				
20MSH-C	5.4	46	1550		10	6.8	11	Y160M-4	318	759×540×508	38	25
	10.44	45.3			17	7.6	15	160L-4				
	15.48	44.5			24	7.8	18.5	Y180M-4				
20MSH-C	5.58	49	600		10	7.5	11	Y160M-4	318	759×540×508	38	25
	10.8	48.3			17	8.4	15	Y160L-4				
	15.84	47.5			23	8.9	18.5	Y180M-4				
20MSH-C	5.76	52.4	1600		10	8.3	15	Y160L-4	318	759×540×508	38	25
	10.8	51.9			17	9	18.5	Y180M-4				
	16.02	51			23	9.7	22	Y180L-4				
20MSH-C	5.94	55	1700		10	8.9	15	Y160L-4	318	759×540×508	38	25
	11.16	54.5			16	10.4	18.5	Y180M-4				
	16.2	63.8			22.5	10.6	22	Y180L-4				
20MSH-C	6.12	58.1	1750		10	9.7	15	Y160L-4	318	759×540×508	38	25
	11.16	57.6			16	11	18.5	Y180M-4				
	16.2	57			22	11.5	22	Y180L-4				
20MSH-C	6.3	61.5	1800		10	10.6	18.5	Y160L-2	318	759×540×508	38	25
	11.34	61			16	11.8	22	Y180L-4				
	16.38	60			22	12.2	30	Y200L1-2				
20MSH-C	6.48	65	1850		10	11.5	18.5	Y160L-2	318	759×540×508	38	25
	11.52	64.7			16	12.7	22	Y180L-4				
	16.56	64			22	13.2	30	Y200L-4				
20MSH-C	6.48	68.8	1900		10	12.8	22	Y160L-2	318	759×540×508	38	25
	11.88	68.4			16	13.8		Y180L-4				
	16.74	67.6			22	14.7	30	Y200L-4				
20MSH-C	7.02	72.4	1950		10	13.9	22	Y180M-2	318	759×540×508	38	25
	11.88	72			15	15.5						
	16.92	71			21	15.6	30	Y200L1-2				
20MSH-C	7.2	72.6	2000		10	15	22	Y180M-2	318	759×540×508	38	25
	12.24	75.2			16	15.7						
	17.1	74			21	16.4	30	Y200L1-2				
20MSH-C	7.38	80.1	2050		10	16.1	22	Y180M-2	318	759×540×508	38	25
	12.24	79.5			16	17.7						
	17.28	78.8			21	18.6	30	Y200L1-2				
20MSH-C	7.74	83.8	2100		10	17.7			318	759×540×508	38	25
	12.6	82.9			15	19	30	Y200L1-2				
	17.46	82.2			20	19.6						
20MSH-C	7.92	87.9	2150		10				318	759×540×508	38	25
	12.96	87			15		30	Y200L1-2				
	17.64	86			20							
20MSH-C	8.1	92	2200		10	20.3			318	759×540×508	38	25
	12.96	91.3			15	21.5	30	Y200L1-2				
	18	90			20	22.1						
(R)40MS-B	7.2	8.5	1200	3	18	0.93	1.5	Y90L-4	104	592×410×381	51	38
	14.4	8			25	1.25						
	21.6	7			35	1.18	2.2	Y100L1-4				
(R)40MS-B	7.92	12	1420	3	19	1.36	2.2	Y100L1-4	104	592×410×381	51	38
	15.12	11.2			30	1.54						
	22.68	10.3			35	1.82	3	Y100L2-4				
(R)40MS-B	9	15.1	1600	3	20	1.85	3	Y100L-4	104	592×410×381	51	38
	18	14.4			33	2.14						
	25.92	13			38	2.41	4	Y112M-2				

MS型渣浆泵性能参数 Type MS Slurry pump selection performance

型号 Type	流量 Capacity Q (m³/h)	扬程 Head H (m)	转速 Speed n (r/min)	必需汽 蚀余量 NPSHr (m)	效率 Efficiency η (%)	轴功率 Shaft Power P (kw)	配用电机 Mating motor		重量 Weight (kg)	泵外形尺寸 (长×宽×高) Overall dimensions L×W×H (mm)	口径 Dia. of pump		
							功率 Power (kw)	规格 规格 Specif			吸入 Inlet (mm)	吐出 Outlet (mm)	
(R)40MS-B	10.8	19.3	1800	3	23	2.47	4	Y112M-2	104	592×410×381	51	38	
	19.8	18.3			35	2.82							
	28.8	17			40	3.33	5.5	Y132S1-2					
(R)40MS-B	10.8	21.6	1900	3	24	2.65	4	Y112M-2	104	592×410×381	51	38	
	21.6	20.5			37	3.26	5.5	Y132S1-2					
	21.32	18.9			42	3.84	7.5	Y132S2-2					
(R)40MS-B	11.52	24	2000	3	25	3.01	4	Y112M-2	104	592×410×381	51	38	
	21.6	23			37	3.66	5.5	Y132S1-2					
	33.12	2.2.8			43	4.36	7.5	Y132S2-2					
(R)40MS-B	12.6	26.5	2100	3	29	3.14	5.5	Y132S1-2	104	592×410×381	51	38	
	23.4	25.2			49	4.02							
	34.2	22.8			44	4.83	7.5	Y132S2-2					
(R)40MS-B	12.96	29	2200	3	29	3.53	5.5	Y132S1-2	104	592×410×381	51	38	
	25.2	27.4			41	4.59	7.5	Y132S2-2					
	36	25			45	5.45	11	Y160M1-2					
(R)40MS-B	13.68	31.7	2300	3	29	4.07	5.5	Y132S1-2	104	592×410×381	51	38	
	25.92	30		3	41	5.16	7.5	Y132S2-2					
	37.44	27.2		3.5	45	6.16	11	Y160M1-2					
(R)40MS-B	14.4	34.4	2400	3	30	4.5	7.5	Y132S2-2	104	592×410×381	51	38	
	27	32.6		3	42	5.71							
	38.88	29.6		4	45	6.96	11	Y160M1-2					
(R)40MS-B	15.12	37.6	2500	3	30	5.16	7.5	Y132S2-2	104	592×410×381	51	38	
	28.8	35.5		3	43	6.48	11	Y160M1-2					
	41.04	32.2		4	45	8	15	Y160M2-2					
(R)40MS-B	15.48	40.0	2600	3	30	5.68	7.5	Y132S2-2	104	592×410×381	51	38	
	28.8	38.3		3	43	6.99	11	Y160M1-2					
	42.48	34.6		5	45	8.89	15	Y160M2-2					
40MS-B	16.2	44	2700	3	30	6.47	11	Y160M1-2	104	592×410×381	51	38	
	30.6	41.9		3.2	43	8.12							
	44.64	37.6		5.2	45	10.16	15	Y160M2-2					
40MS-B	16.2	47	2800	3	30	6.91	11	Y160M1-2	104	592×410×381	51	38	
	30.6	45		3.2	42	8.93							
	46.08	40.5		6	45	11.29	15	Y160M2-2					
40MS-B	18	54	3000	3	30	8.82			104	592×410×381	51	38	
	32.4	51		3.5	42	10.71	15	Y160M2-2					
	48.6	46		6.5	45	13.53							
40MS-B	21.6	61	3200					15	Y160M2-2	104	592×410×381	51	38
	37.8	57											
(R)50MS-C	21.6	14.5	1300	3	45	1.9	4	Y112M-4	191	768×476×464	76	51	
	32.4	14			52	2.38							
	42.48	13			56	2.69	5.5	Y132S-4					
(R)50MS-C	25.2	17.3	1400	3	45	2.64	5.5	Y132S-4	191	768×476×464	76	51	
	36	16.7			53	3.09							
	46.08	15.8			56	3.54	7.5	Y132M-4					
(R)50MS-C	25.2	19.3	1500	3	45	2.93	4	Y112M-4	191	768×476×464	76	51	
	36	18.7			52	3.53	5.5	Y132S-4					
	48.6	17.5			58	4.14	7.5	Y132M-4					
(R)50MS-C	27	22	1600	3	45	3.60	5.5	Y132S-4	191	768×476×464	76	51	
	39.6	21			52	4.36							
	52.2	20			56	5.08	7.5	Y132M-4					
(R)50MS-C	28.8	24.8	1700	3	45	4.32	7.5	Y132M-4	191	768×476×464	76	51	
	43.2	23.8		3	53	5.28							
	55.8	22.2		3.5	56	6.02	11	Y160M-4					
(R)50MS-C	30.24	27.8	1800	3	45	5.09	7.5	Y132M1-4	191	768×476×464	76	51	
	45	26.3		3	53	6.08							
	58.68	25		4	56	7.13	11	Y160M1-2					
(R)50MS-C	32.4	31	1900	3	45	6.08	11	Y160M1-2	191	768×476×464	76	51	
	46.8	30		3	52	7.35							
	61.2	28		4.2	56	8.33	15	Y160M2-2					

MS型渣浆泵性能参数 Type MS Slurry pump selection performance

型号 Type	流量 Capacity Q (m <sup>3</sup> /h)	扬程 Head H (m)	转速 Speed n (r/min)	必需汽 蚀余量 NPSHr (m)	效率 Efficiency η (%)	轴功率 Shaft Power P (kw)	配用电机 Mating motor		重量 Weight (kg)	泵外形尺寸 (长×宽×高) Overall dimensions L×W×H (mm)	口径 Dia. of pump	
							功率 Power (kw)	规格 Specif			吸入 Inlet (mm)	吐出 Outlet (mm)
(R)50MS-C	33.48	34.2	2000	3	45	6.93	11	Y160M1-2	191	768×476×464	76	51
	50.4	32.6		3.2	53	8.44	15	Y160M2-2				
	65.52	30.7		4.6	56	9.78	18.5	Y160L-2				
(R)50MS-C	35.28	38	2100	3	45	8.11	15	Y160M2-2	191	768×476×464	76	51
	52.2	36.1		3.5	53	9.68	18.5	Y160L-2				
	69.12	34		5.2	56	11.43	22	Y180M-2				
50MS-C	37.08	41.3	2200	3	45	9.27	15	Y160M2-2	191	768×476×464	76	51
	54	39.7		4	53	11.02	18.5	Y160L-2				
	72	37.4		5.5	56	13.1	22	Y180M-2				
50MS-C	37.8	45.2	2300	3	45	10.34	18.5	Y160L-2	191	768×476×464	76	51
	57.6	43.4		4.5	53	12.84	22	Y180M-2				
	75.6	40.5		6	56	14.89	30	Y200L1-2				
50MS-C	46.08	53.5	2500	5	45	14.9	22	Y180M-2	191	768×476×464	76	51
	64.8	51			53	17.3						
	81	48		7	56	18.9	30	Y200L1-2				
50MS-C	50.4	62.3	2700	4	45	18.7	22	Y180M-2	191	768×476×464	76	51
	64.8	60		5.5	53	20.4						
	88.56	56		8	56	24.1	30	Y200L1-2				
50MSH-D	18	29	850	3	20	7.1	15	Y180L-6	750	986×768×698	76	51
	45	30			38	9.7	18.5	Y180M-4				
	72	28			45	12.2	22	Y180L-4				
50MSH-D	18.72	33	900	3	20	8.4	15	Y180L-6	750	986×768×698	76	51
	46.44	33.5			38	11.2	22	Y200L2-6				
	73.8	31			45	13.9	30	Y225M-6				
50MSH-D	19.44	37	950	3	20	9.8	18.5	Y180M-4	750	986×768×698	76	51
	47.52	37.5			38	12.8	22	Y180L-4				
	75.6	35			45	16	30	Y200L-4				
50MSH-D	19.8	39.7	980	3	20	10.7	30	Y225M-6	750	986×768×698	76	51
	46.8	39.7			35	14.5						
	75.6	37.8			45	17.3	37	Y250M-6				
50MSH-D	21.6	45.1	1050	3	20	13.3	22	Y180L-4	750	986×768×698	76	51
	50.04	45.5			37	16.8	30	Y200L-4				
	78.12	44			45	20.8	37	Y225S-4				
50MSH-D	23.4	50	1100	3	20	16	22	Y180L-4	750	986×768×698	76	51
	51.48	50			36	19.5	30	Y200L-4				
	79.2	48			45	23	37	Y225S-4				
50MSH-D	24.48	54.8	1150	3	20	18.3	30	Y200L-4	750	986×768×698	76	51
	52.56	55			35	22.5	37	Y225S-4				
	80.64	53			44	26.5	45	Y225M-4				
50MSH-D	25.2	59	1200	3	20	20.3	30	Y200L-4	750	986×768×698	76	51
	53.28	59.8			34	25.3	37	Y225S-4				
	81.36	58			44	29.2	45	Y225M-4				
50MSH-D	27	64.3	1250	3	20	23.7	37	Y225S-4	750	986×768×698	76	51
	55.08	65.1			34	28.7	45	Y225M-4				
	82.8	63.8			44	32.7	55	Y250M-4				
50MSH-D	28.08	70	1300	3	20	26.8	37	Y225S-4	750	986×768×698	76	51
	55.8	70			34	31.3	45	Y225M-4				
	83.52	68			43	36	55	Y250M-4				
50MSH-D	28.8	75.2	1350	3	20	29.5	45	Y225M-4	750	986×768×698	76	51
	56.88	75.5			33	35.5						
	84.6	74			42	40.6	55	Y250M-4				
50MSH-D	30.6	81	1400	3	20	33.8			750	986×768×698	76	51
	56.68	81.2			33	39.4	55	Y250M-4				
	85.68	79.8			42	44.4						
50MSH-D	30.6	87	1450	3	20	36.3			750	986×768×698	76	51
	58.68	88			32	44	55	Y250M-4				
	86.4	86			42	48.2						
(R)75MS-C	28.8	11	1000	2.2	50	1.73	5.5	Y132S-4	263	843×584×516	102	76
	68.4	10.1			69	2.73						
	108	76			65	3.44	7.5	Y132M-4				

MS型渣浆泵性能参数 Type MS Slurry pump selection performance

型号 Type	流量 Capacity Q (m <sup>3</sup> /h)	扬程 Head H (m)	转速 Speed n (r/min)	必需汽 蚀余量 NPSHr (m)	效率 Efficiency η (%)	轴功率 Shaft Power P (kw)	配用电机 Mating motor		重量 Weight (kg)	泵外形尺寸 (长×宽×高) Overall dimensions L×W×H (mm)	口径 Dia. of pump	
							功率 Power (kw)	规格 规格 Specif			吸入 Inlet (mm)	吐出 Outlet (mm)
(R)75MS-C	32.4	13.2	1100	2.4	50	2.33	5.5	Y132S-4	263	843×584×516	102	76
	72	12.2			69	3.47						
	111.6	9.6			67	4.35	7.5	Y160M-6				
(R)75MS-C	36	15.9	1200	2.7	50	3.12	7.5	Y132M-4	263	843×584×516	102	76
	75.6	14.7			68	4.45						
	115.92	12.2			68	5.66	11	Y160M-4				
(R)75MS-C	39.6	18.6	1300	2.2	50	4.01	7.5	Y132M-4	263	843×584×516	102	76
	82.8	17.2		2.2	68	5.7						
	122.4	14.6		3	69	7.05	11	Y160M-4				
(R)75MS-C	43.2	21.6	1400	2.5	50	5.08	11	Y160M-4	263	843×584×516	102	76
	86.4	20.2		2.5	67	7.13	15	Y160L-4				
	126.7	17.3		3.5	70	8.53	18.5	Y180M-4				
(R)75MS-C	45	23.4	1460	2	50	5.74	15	Y160L-4	263	843×584×516	102	76
	90	21.8		2.7	67	7.97	18.5	Y180M-4				
	129.6	19		3.6	70	9.58	22	Y180L-4				
(R)75MS-C	50.4	28	1600	2.3	50	7.69	18.5	Y180M-4	263	843×584×516	102	76
	93.6	26.4		3.1	66	10.2	22	Y180L-4				
	136.8	23		4.3	70	12.24	30	Y200L-4				
(R)75MS-C	54	31.8	1700	2.6	50	9.35	18.5	Y180M-4	263	843×584×516	102	76
	100.8	30		3.5	66	12.48	22	Y180L-4				
	144	26		4.6	70.5	14.46	30	Y200L-4				
(R)75MS-C	54	35.6	1800	3	50	10.47	22	Y180M-2	263	843×584×516	102	76
	100.8	33.6		3.8	66	13.98						
	149.4	29.5		5	70.5	17.02	30	Y200L1-2				
75MS-C	57.6	39.7	1900	3.2	50	12.45	22	Y180M-2	263	843×584×516	102	76
	108	37.6		4.2	66	16.76						
	154.8	33.2		5.5	70.5	19.82	30	Y200L1-2				
75MS-C	61.2	44	2000	3.6	50	14.67			263	843×584×516	102	76
	108	42		4.5	65	19	30	Y200L1-2				
	158.4	37.1		6	74	22.54						
(R)75MS-D	28.8	11	1000	2.2	50	1.73	5.5	Y132S-4	363	943×584×592	102	76
	68.4	10.1			69	2.73						
	108	7.6			65	3.44	7.5	Y132M-4				
(R)75MS-D	32.4	13.2	1100	2.4	50	2.33	5.5	Y132S-4	363	943×584×592	102	76
	72	12.2			69	3.47						
	111.6	9.6			67	4.35	7.5	Y132M-4				
(R)75MS-D	36	15.9	1200	2.7	50	3.12	7.5	Y132M-4	363	943×584×592	102	76
	75.6	14.7			68	4.45						
	115.9	12.2			68	5.66	11	Y160M-4				
(R)75MS-D	39.6	18.6	1300	2.2	50	4.01	7.5	Y132M-4	363	943×584×592	102	76
	82.8	17.2		2.2	68	5.7						
	122.4	14.6		2.3	69	7.05	11	Y160M-4				
(R)75MS-D	43.20	21.60	1400	2.5	50	5.08	11	Y160M-4	363	943×584×592	102	76
	86.40	20.02		2.5	66	7.13	15	Y160L-4				
	126.70	17.30		3.5	70	8.53	18.5	Y180M-4				
(R)75MS-D	50.40	28.00	1600	2.3	50	7.69	18.5	Y180M-4	363	943×584×592	102	76
	93.60	26.40		3.1	66	10.2	22	Y180L-4				
	136.80	23.00		4.2	70	12.24	30	Y200M-4				
(R)75MS-D	54.00	31.80	1700	2.6	50	9.35	18.5	Y180M-4	363	943×584×592	102	76
	100.80	30.00		3.5	66	12.48	22	Y180L-4				
	144.00	26.00		4.6	70.5	14.46	30	Y200M-4				
(R)75MS-D	54.00	35.60	1800	3	50	10.47	22	Y180M-2	363	943×584×592	102	76
	100.80	33.60		3.8	66	13.98						
	149.40	29.50		5	70.5	17.02	30	Y200L1-2				
75MS-D	57.60	39.7	1900	3.2	50	12.45	22	Y180M-2	363	943×584×592	102	76
	108.00	37.60		4.2	66	16.76	30	Y200L1-2				
	154.80	33.20		5.5	70.5	19.85	37	Y200L2-2				
75MS-D	61.20	44.00	2000	3.6	50	14.67	30	Y200L-4	363	943×584×592	102	76
	108.00	42.00		4.5	65	19	37	Y225S-4				
	158.40	37.10		6.0	74	22.54	45	Y225M-4				



MS型渣浆泵性能参数 Type MS Slurry pump selection performance

型号 Type	流量 Capacity Q (m <sup>3</sup> /h)	扬程 Head H (m)	转速 Speed n (r/min)	必需汽 蚀余量 NPSHr (m)	效率 Efficiency η (%)	轴功率 Shaft Power P (kw)	配用电动机 Mating motor		重量 Weight (kg)	泵外形尺寸 (长×宽×高) Overall dimensions L×W×H (mm)	口径 Dia. of pump		
							功率 Power (kw)	规格 Specif			吸入 Inlet (mm)	吐出 Outlet (mm)	
75MSH-E	43.2	32.5	800	1.5	27	14.2	30	Y225M-6	1250	1240×984×889	102	76	
	90	31.5		1.8	40	19.3	45	Y280S-6					
	136.8	29.7		2.7	46	24.1	18.5	Y200L1-6					
75MSH-E	45	36.8	850	1.5	27	16.7	37	Y250M-6	1250	1240×984×889	102	76	
	93.6	35.1		1.8	40	22.4	45	Y225M-4					
	140.4	33		2.6	46	27.5	55	Y280M-6					
75MSH-E	46.8	40.7	900	1.5	27	19.2	45	Y280S-6	1250	1240×984×889	102	76	
	95.4	39.8		1.8	40	25.9	55	Y280M-6					
	144	37.5		2.7	47	31.3	30	Y225M-6					
75MSH-E	48.6	44	940	1.5	27	21.6	30	Y225M-6	1250	1240×984×889	102	76	
	97.2	42.7		1.8	40	28.3	45	Y280S-6					
	147.6	41		2.7	47	35.1	55	Y280M-6					
75MSH-E	50.4	48	980	1.5	27	24.4	37	Y250M-6	1250	1240×984×889	102	76	
	100.8	46.8		1.8	40	32.1	45	Y280S-6					
	151.2	44.8		2.8	48	38.5	55	Y280M-6					
75MSH-E	52.2	50.1	1000	1.5	27	26.4	45	Y225M-4	1250	1240×984×889	102	76	
	102.6	48.8		1.9	40	34.1	55	Y280M-6					
	153	46.6		2.9	48	40.5	75	Y280S-4					
75MSH-E	54	55.8	1050	1.5	28	29.3	45	Y225M-4	1250	1240×984×889	102	76	
	106.2	54.9		1.8	40	39.7	75	Y280S-4					
	158.4	52		3	48	46.8	90	Y280M-4					
75MSH-E	57.6	61	1100	1.5	28	34.2	45	Y225M-4	1250	1240×984×884	102	76	
	111.6	60		1.8	40	45.6	75	Y280S-4					
	165.6	57		3.1	48	53.6	90	Y280M-4					
75MSH-E	61.2	67	1150	1.5	28	39.9	55	Y250M-4	1250	1240×984×884	102	76	
	115.2	65		2	40	51	75	Y280S-4					
	169.2	62		3.2	48	59.5	90	Y280M-4					
75MSH-E	64.8	72.5	1200	1.5	28	45.7	75	Y280S-4	1250	1240×984×884	102	76	
	122.4	70.1		2.1	40	58.4	90	Y280M-4					
	176.4	67.5		3.4	48	69	110	Y315S-4					
75MSH-E	64.8	79.1	1250	1.5	28	52.7	75	Y280S-4	1250	1240×984×884	102	76	
	122.4	77.5		2.1	40	64.6	90	Y280M-4					
	180	74		3.6	47	77.2	110	Y315S-4					
75MSH-E	72	85.1	1300	1.5	28	59.6	90	Y280M-4	1250	1240×984×884	102	76	
	129.6	83.2		2.2	40	73.4							
	187.2	80		3.7	47	86.8	110	Y315S-4					
75MSH-E	75.6	92.5	1350	1.5	27	70.5	110	Y315S-4	1250	1240×984×884	102	76	
	136.8	90		2.4	40	83.8							
	194.4	86.3		4	45	101.5	90	Y280M-4					
75MSH-E	79.2	99.4	1400	1.5	27	79.4			1250	1240×984×884	102	76	
	140.4	96					110	Y315S-4					
	201.6	93		2.5	39	94.1							
(R)100MS-D	72	16	800	3	50	6.27	15	Y160L-4	626	1021×812×668	152	102	
	133.2	14.6			65	8.15	18.5	Y180M-4					
	194.4	12.6			68	9.81	22	Y180L-4					
(R)100MS-D	79.2	20	900	3	50	8.63	18.5	Y180M-4	626	1021×812×668	152	102	
	147.6	18.4			65	11.38	22	Y180L-4					
	216	16			3.3	68	13.84	30					Y225M-6
(R)100MS-D	86.4	23.7	980	3	50	11.15	22	Y200L2-6	626	1021×812×668	152	102	
	162	21.7			65	14.73	30	Y225M-6					
	234	18.9			3.7	68	17.71	37					Y250M-6
(R)100MS-D	90	24.8	1000	3	50	12.16	22	Y180L-4	626	1021×812×668	152	102	
	162	22.6			65	15.34	30	Y200L-4					
	237.6	19.7			3.8	68	18.75	37					Y250M-4
(R)100MS-D	93.6	27	1050	3	50	13.76	22	Y180L-4	626	1021×812×668	152	102	
	172.8	25			3.1	65	18.1	30					Y200L-4
	252	21.7			4	68	11.9	37					Y225S-4
(R)100MS-D	100.8	30	1100	3	50	16.47	30	Y200L-4	626	1021×812×668	152	102	
	180	27.6			3.5	65	20.81	37					Y225S-4
	262.8	24			4.5	68	25.26	45					Y225M-4

MS型渣浆泵性能参数 Type MS Slurry pump selection performance

型号 Type	流量 Capacity Q (m³/h)	扬程 Head H (m)	转速 Speed n (r/min)	必需汽 蚀余量 NPSHr (m)	效率 Efficiency η (%)	轴功率 Shaft Power P (kw)	配用电机 Mating motor		重量 Weight (kg)	泵外形尺寸 (长×宽×高) Overall dimensions L×W×H (mm)	口径 Dia. of pump	
							功率 Power (kw)	规格 规格 Specif			吸入 Inlet (mm)	吐出 Outlet (mm)
(R)100MS-D	108	32	1150	3	50	18.82	37	Y225S-4	626	1021×812×668	152	102
	194.4	29.9		3.7	65	24.35	45	Y225M-4				
	277.2	26		4.8	68	28.86	55	Y250M-4				
(R)100MS-D	115.2	35.4	1200	3	50	22.21	37	Y225S-4	626	1021×812×668	152	102
	201.6	32.2		4	65	27.2	45	Y225M-4				
	288	29.4		5	68	32.76	55	Y250M-4				
(R)100MS-D	111.6	38.5	1250	3.1	50	23.4	37	Y225S-4	626	1021×812×668	152	102
	205.2	35.5		4	65	30.52	45	Y225M-4				
	298.8	30.6		5.3	68	36.62	55	Y250M-4				
(R)100MS-D	115.2	41.7	1300	3.4	50	26.16	45	Y225M-4	626	1021×812×668	152	102
	212.4	38.2		4.3	65	33.99						
	309.6	33.4		5.7	68	41.41	55	Y250M-4				
(R)100MS-D	118.8	44.7	1350	3.5	50	28.92	45	Y225M-4	626	1021×812×668	152	102
	223.2	41		4.6	65	38.34						
	324	35.6		6	68	46.19	55	Y250M-4				
100MS-D	122.4	48	1400	3.7	50	32			626	1021×812×668	152	102
	226.8	44		4.8	65	41.81	55	Y250M-4				
	331.2	38.5		6.5	68	81.07						
100MS-D	129.6	54	1480	4	50		45	Y225M-4	626	1021×812×668	152	102
	248.4	49.5		5.2	65							
	356.4	43		7	68		55	Y250M-4				
(R)100MS-E	93.6	27.0	1050	3	50	13.76	22	Y180L-4	728	1178×812×795	152	102
	172.8	25.0		3.1	65	18.1	30	Y200L-4				
	252.0	21.7		4	68	11.9	37	Y225S-4				
(R)100MS-E	100.8	30.0	1100	3	50	16.47	37	Y225S-4	728	1178×812×795	152	102
	180.0	27.6		3.5	65	20.81						
	262.8	24.0		4.5	68	25.26	45	Y250M-4				
(R)100MS-E	108.0	32.0	1150	3	50	18.82	37	Y225S-4	728	1178×812×795	152	102
	194.4	29.9		3.7	65	24.35	45	Y225M-4				
	277.2	26.0		4.8	68	28.86	55	Y250M-4				
(R)100MS-E	115.2	35.4	1200	3	50	22.21	45	Y225M-4	728	1178×812×795	152	102
	201.6	32.2		4	65	27.2						
	288.0	28.4		5	68	32.76	55	Y250M-4				
(R)100MS-E	111.6	38.5	1250	3.1	50	23.4	37	Y225S-4	728	1178×812×795	152	102
	205.2	35.5		4	65	30.52	45	Y225M-4				
	298.8	30.6		5.3	68	36.62	55	Y250M-4				
(R)100MS-E	115.2	41.7	1300	3.4	50	26.16	55	Y250M-4	728	1178×812×795	152	102
	212.4	38.2		4.3	65	33.99						
	309.6	33.4		5.7	68	41.41	75	Y280S-4				
(R)100MS-E	118.8	44.7	1350	3.5	50	28.92	45	Y225S-4	728	1178×812×795	152	102
	223.2	41		4.6	65	38.34	55	Y250M-4				
	324.0	35.6		6	68	46.19	75	Y280M-4				
100MS-E	122.4	48	1400	3.7	50	32	55	Y250M-4	728	1178×812×795	152	102
	226.8	44		4.8	65	41.81	75	Y280S-4				
	331.2	38.5		6.5	68	51.07	90	Y280M-4				
100MS-E	129.6	54	1480	4	50		75	Y280S-4	728	1178×812×795	152	102
	248.4	49.5		5.2	65		90	Y280M-4				
	356.4	43		7	68		110	Y315S-4				
100MS-E	133.2	56	1500	4	50		75	Y280S-4	728	1178×812×795	152	102
	252.0	51		5.3	65		90	Y280M-4				
	360	44		7.1	68		110	Y315S-4				
100MS-E	140.0	63	1600	4.5	50		90	Y280M-4	728	1178×812×795	152	102
	368.2	57.5		6	65		110	Y315S-4				
	385.2	50.5		8	68		115	JS114-4				
100MSH-F	100	36	600	2	40		45	Y315S-10	3430	1560×1210×1160	150	100
	180	35.5		2	52							
	250	34		2	60		55	Y315M1-10				
100MSH-F	122	48	700	2	40		55	Y315S-8	3430	1560×1210×1160	150	100
	198	47		2	52		75	Y315M1-8				
	280	46		2.2	60		90	Y315M2-8				

MS型渣浆泵性能参数 Type MS Slurry pump selection performance

型号 Type	流量 Capacity Q (m <sup>3</sup> /h)	扬程 Head H (m)	转速 Speed n (r/min)	必需汽 蚀余量 NPSHr (m)	效率 Efficiency η (%)	轴功率 Shaft Power P (kw)	配用电机 Mating motor		重量 Weight (kg)	泵外形尺寸 (长×宽×高) Overall dimensions L×W×H (mm)	口径 Dia. of pump	
							功率 Power (kw)	规格 规格 Specif			吸入 Inlet (mm)	吐出 Outlet (mm)
(R)100MSH-F	126	54	740	2	40		75	Y315M1-8	3430	1560×1210×1160	150	100
	216	53.5		2	52		90	Y315M2-8				
	306	52.5		2.5	60		110	Y315M3-8				
(R)100MSH-F	144	63	800	2	40		90	Y315M1-6	3430	1560×1210×1160	150	100
	234	62.5		2.2	52		110	Y315M2-6				
	325	61		2.8	60		132	Y315M3-6				
(R)100MSH-F	150	79.5	900	2	40		132	Y315M3-6	3430	1560×1210×1160	150	100
	270	79		2.6	52		160	Y315M1-6				
	370	77		3.5	60		185	Y315M2-6				
(R)100MSH-F	170	96.5	990	2.4	40		160	Y315M1-6	3430	1560×1210×1160	150	100
	290	95		3.2	52		185	Y315M2-6				
	370	92		4.2	60		220	Y315L1-6				
(R)100MSH-F	175	98	1000	2.5	40		185	Y315M2-6	3430	1560×1210×1160	150	100
	306	97		3.2	52		220	Y315L2-6				
	414	94		4.2	60		250	Y315L2-6				
(R)150MS-E	126	12	500	2	51	8.1	22	Y225M-8	1473	1302×1102×917	203	152
	255	11.4			66	10.6	18.5	Y225S-8				
	324	10			72	12.3	30	Y250M-8				
(R)150MS-E	126	14.6	550	2	50	10	15	Y200L-8	1473	1302×1102×917	203	152
	252	13.5			67	13.8	22	Y225M-8				
	360	12.2			72	16.6	30	Y250M-8				
(R)150MS-E	144	17.4	600	2	50	13.7	30	Y250M-8	1473	1302×1102×917	203	152
	270	16.3		2	66	18.2	22	Y225M-8				
	396	14.6		2.5	72	21.9	37	Y280S-8				
(R)150MS-E	162	20.2	650	2	50	17.8	30	Y250M-8	1473	1302×1102×917	203	152
	306	19		2	66	23.6	37	Y280S-8				
	432	17		3	72	27.8	45	Y280M-8				
(R)150MS-E	162	23.6	700	2	50	20.8	30	Y225M-6	1473	1302×1102×917	203	152
	306	22.2		2	66	28	37	Y250M-6				
	450	20		3.2	72	34	45	Y280S-6				
(R)150MS-E	180	28.2	770	2	50	27.7	45	Y280S-6	1473	1302×1102×917	203	152
	342	27		2.3	66	38.1	55	Y280M-6				
	504	23.9		4	72	45.6	90	Y315M-6				
(R)150MS-E	180	30.8	800	2	50	30.2	55	Y280M-6	1473	1302×1102×917	203	152
	360	29		2.4	66	43.1	75	Y280S-4				
	522	26		4.2	72	51.4	90	Y280S-4				
(R)150MS-E	197.3	34.6	850	2	50	37.2	75	Y280S-4	1473	1302×1102×917	203	152
	374	33		2.5	66	51	90	Y315M1-6				
	554	29.3		5	72	61.4	110	Y315M2-6				
(R)150MS-E	208.8	38.8	900	2	50	44.1	90	Y280M-4	1473	1302×1102×917	203	152
	396	37		3	66	65	115	JS114-4				
	586.38	32.8		5.5	72	72.8	75	Y280S-4				
(R)150MS-E	218.2	42.3	940	2	50	50.6	110	Y315M2-6	1473	1302×1102×917	203	152
	413.6	40.4		3.3	66	69						
	612.7	35.8		6	72	83	90	Y315M1-6				
(R)150MS-E	229.3	46.1	980	2	50	57.6	75	Y315S-6	1473	1302×1102×917	203	152
	432	44		4	68	78.5	90	Y315M-6				
	635	38.9		6.5	72	93.5	110	Y315L1-6				
(R)150MS-E	234	48	1000	2	50	61.2	115	JS114-4	1473	1302×1102×917	203	152
	441	45.8		4	66	83.4	90	Y280M-4				
	648	40.5		7.5	70	99.3	110	Y315M2-6				
150MS-E	252	58	1100	4	50	79.6	110	Y315S-4	1473	1302×1102×917	203	152
	439.2	56		4	65	103.05						
	565.2	53		6	70	116.54	115	JS114-4				
(R)150MS-R	208.8	38.8	900	2	50	44.1	110	Y315L1-6	1655	1360×1102×810	203	152
	369	37		3	66	65						
	586.38	32.8		5.5	72	72.8	132	Y315L2-6				
(R)150MS-R	218.2	42.3	940	2	50	50.6	110	Y315L1-6	1655	1360×1102×810	203	152
	413.6	40.4		3.3	66	69						
	612.7	35.8		6	72	83	132	Y315L2-6				

MS型渣浆泵性能参数 Type MS Slurry pump selection performance

型号 Type	流量 Capacity Q (m <sup>3</sup> /h)	扬程 Head H (m)	转速 Speed n (r/min)	必需汽 蚀余量 NPSHr (m)	效率 Efficiency η (%)	轴功率 Shaft Power P (kw)	配用电机 Mating motor		重量 Weight (kg)	泵外形尺寸 (长×宽×高) Overall dimensions L×W×H (mm)	口径 Dia. of pump	
							功率 Power (kw)	规格 Specif			吸入 Inlet (mm)	吐出 Outlet (mm)
150MS-R	229.3	46.1	980	2	50	57.6	130	JS125-6	1655	1360×1102×810	203	152
	432	44		4	68	78.5	132	Y315M3-6				
	653	38.9		6.5	72	93.5	155	JS126-6				
(R)150MS-R	234	48	1000	2	50	61.2	155	JS116-4	1655	1360×1102×810	203	152
	441	45.8		4	66	83.4	135	JS115-4				
	648	40.5		7.5	72	99.3	160	Y315L1-4				
150MS-R	252	58	1100	4	50	79.6	135	JS115-4	1655	1360×1102×810	203	152
	439.2	56		4	65	103.05	160	Y315L1-4				
	565.2	53		6	70	116.54	180	JS117-4				
150MS-R	270	62	1140	4	50	91.18	132	Y315M-4	1655	1360×1102×810	203	152
	450	60		6	65	113.12	160	Y315L1-4				
	594	57		6	70	131.72	180	JS117-4				
200MMS-E	252	19	600	3	50	26.1	45	Y225M-4	1625	1337×1226×927	254	203
	486	17		3	66	34.1	55	Y250M-4				
	720	14.6		4.6	73	39.2	75	Y280S-4				
200MMS-E	270	22.1	650	3	50	32.5	45	Y280S-8	1625	1337×1226×927	254	203
	522	20.1		3.3	66	43.3						
	784.8	17.2		5.4	73	50.4	75	Y315M-8				
200MMS-E	288	25.9	700	3.8	50	40.6	75	Y280S-4	1625	1337×1226×927	254	203
	576	23.1		3.8	67	54.1	90	Y280M-4				
	842.4	20		6	73	62.9	115	JS117-6				
200MMS-E	295.2	28	730	4	50	45	75	Y315M-8	1625	1337×1226×927	254	203
	576	25.4		4	67	59.5	90	Y315L1-8				
	871.2	21.4		6.3	73	69.6	110	Y315L2-8				
200MMS-E	309.6	30.8	770	4.1	50	51.9	110	Y315M2-6	1625	1337×1226×927	254	203
	612	28		4.1	66	70.7						
	921.6	23.9		7	73	82.2	90	Y315M-6				
200MMS-E	342	33.9	800	4.4	50	59.8	90	Y280M-4	1625	1337×1226×927	254	203
	648	30.4		4.4	67	80.1						
	961.2	26		7.5	73	93.2	110	Y315L1-6				
200MMS-E	342	37.9	850	3	50	70.6	110	Y315L1-6	1625	1337×1226×927	254	203
	648	34.4		5	67	95.6						
	1026	29.3		8.4	73	113.3	90	Y315M-6				
200MMS-E	360	43	900	3	50	84.3	110	Y315L1-6	1625	1337×1226×927	254	203
	720	38.6		5.5	67	113						
	1087.2	33		9.2	73	133.8	115	JS117-6				
(R)200MMS-R	295.2	28.0	730	4	50	45	75	Y315M-8	1836	1337×1226×927	254	203
	576.0	25.4		4	67	59.5	90	Y315L1-8				
	871.2	21.4		6.3	73	69.6	110	Y315L2-8				
(R)200MMS-R	309.6	30.8	770	4.1	50	51.9	110	Y315L1-6	1836	1337×1226×927	254	203
	612.0	28.0		4.1	67	70.7						
	921.6	23.9		7	73	82.2	132	Y315L2-6				
(R)200MMS-R	324	33.9	800	4.4	50	59.8	110	Y315L1-6	1836	1337×1226×927	254	203
	648	30.4		4.4	67	80.1	132	Y315L2-6				
	961.2	26		7.5	73	93.2	155	JS126-6				
(R)200MMS-R	342	37.9	850	3	50	70.6	110	Y315L1-6	1836	1337×1226×927	254	203
	684	34.4		5	67	95.6	155	JS126-6				
	1025	29.6		8.4	73	113.3	185	JS127-6				
(R)200MMS-R	360	43	900	3	50	84.3	132	Y315L2-6	1836	1337×1226×927	254	203
	720	38.6		5.5	67	113	155	JS126-6				
	1087.2	33		9.2	73	133.8	185	JS127-6				
(R)200MMS-R	378	46.6	940	3.3	50	95.9	132	Y315L2-6	1836	1337×1226×927	254	203
	756	42.1		6	67	129.4						
	1134	36		10	73	152.3	185	JS127-6				
(R)200MMS-R	396	50.6	980	3.4	50	109.1	185	JS127-6	1836	1337×1226×927	254	203
	792	45.9		6.2	67	147.8	215	JS128-6				
	1188	39		11	73	172.8	240	JS136-6				
(R)200MMS-R	396	52.9	1000	3.6	50	114.1	155	JS116-4	1836	1337×1226×927	254	203
	792	47.9		6.3	67	154.2						
	1209.6	40.7		11.2	73	183.7	180	JS117-4				

MS型渣浆泵性能参数 Type MS Slurry pump selection performance

型号 Type	流量 Capacity Q (m <sup>3</sup> /h)	扬程 Head H (m)	转速 Speed n (r/min)	必需汽 蚀余量 NPSHr (m)	效率 Efficiency η (%)	轴功率 Shaft Power P (kw)	配用电机 Mating motor		重量 Weight (kg)	泵外形尺寸 (长×宽×高) Overall dimensions L×W×H (mm)	口径 Dia. of pump	
							功率 Power (kw)	规格 Specif			吸入 Inlet (mm)	吐出 Outlet (mm)
(R)200MMS-R	432	57.9	1050	3.8	50	136.2	185	JS127-6	1836	1395×1226×927	254	203
	864	52		7.2	67	182.6						
	1267.2	44.1		12.1	73	211.3						
(R)201MMS-R	450	63.8	1100	4	50	156.4	240	1836	1395×1226×927	254	203	
	900	57.1		7.6	67	208.9						
	1324.8	49.2		13.2	73	243.2						
200MS-ST	216	14	400	2	50	16.47	45	Y315S-10	3750	1748×1346×1258	254	203
	396	12.9		2	65	21.4						
	576	11.5		2.5	71	25.41						
200MS-ST	234	16.1	440	2	50	20.52	45	Y315S-10	3750	1748×1346×1258	254	203
	432	15.4		2	65	27.87						
	630	14		3.2	71	33.83						
200MS-ST	252	19	470	2	50	26.08	45	Y315S-10	3750	1748×1346×1258	254	203
	468	18		2	65	35.29						
	684	16.3		3.5	71	42.76						
200MS-ST	270	21.4	500	2	50	31.91	55	Y315M-10	3750	1748×1346×1258	254	203
	504	20.1		2	67	41.18						
	720	18.5		4	71	51.09						
200MS-ST	295.2	25	540	2	50	40.20	75	Y315L2-10	3750	1748×1346×1258	254	203
	540	23.5		2.4	66	52.36						
	774	21.3		2.6	71	63.24						
200MS-ST	324	29	580	2	50	51.12	95	JS126-10	3750	1748×1346×1258	254	203
	576	27.1		3	67	63.45						
	828	25		5.3	71	79.40						
200MS-ST	331.2	31.1	600	2	50	56.1	90	Y315L1-8	3750	1748×1346×1258	254	203
	612	29.2		3	67	12.46						
	864	26.5		5.6	71	87.82						
200MS-ST	345.6	33.5	625	2	50	63.06	110	Y315L2-8	3750	1748×1346×1258	254	203
	612	31.7		3.2	66	80.05						
	900	28.3		6	71	97.69						
200MS-ST	360	36.2	650	2	50	70.98	130	JS127-8	3750	1748×1346×1258	254	203
	648	34.2		3.5	67	90.08						
	936	31		6.5	71	111.38						
200MS-ST	381.6	39.3	675	2	50	81.68	130	JS127-8	3750	1748×1346×1258	254	203
	684	37		4	67	102.87						
	972	33.4		7.1	71	124.52						
200MS-ST	414	42.5	700	2	50	95.83	155	JS136-8	3750	1748×1346×1258	254	203
	720	39.8		4.2	67	116.48						
	1008	36.1		8	71	139.57						
200MS-ST	432	46	730	2.1	50	108.24	210	JS137-8	3750	1748×1346×1258	254	203
	741.6	43.1		4.5	67	129.92						
	1051.2	39.2		8.5	71	158.08						
250MS-ST	316.8	112.7	350	2	60	18.26	30	Y315S-10	4318	1816×1510×1324	305	254
	540	11.8		2	75	23.14						
	774	10.2		2.4	80	26.88						
250MS-ST	360	16.2	400	2	60	26.47	55	Y315M-10	4318	1816×1510×1324	305	254
	630	15.2		2.2	76	34.31						
	885.6	13.4		3	80	40.4						
250MS-ST	381.6	19.7	440	2	60	34.12	75	Y315L2-10	4318	1816×1510×1324	305	254
	684	18.5		2.4	75	45.34						
	986.4	16.4		3.2	80	55.07						
250MS-ST	486	31	550	2.2	60	68.38	100	JS126-8	4318	1816×1510×1324	305	254
	864	29		3.1	76	89.78						
	1224	25.2		4.5	80	105						
250MS-ST	504	34.1	580	2.3	60	78.01	130	JR128-10	4318	1816×1510×1324	305	254
	900	32		3.3	76	103.2						
	1296	28		5	80	123.53						
250MS-ST	525.6	37	600	2.4	60	88.27	130	JS127-8	4318	1816×1510×1324	305	254
	936	34.2		3.5	76	114.7						
	1332	30.1		5.2	80	136.48						

MS型渣浆泵性能参数 Type MS Slurry pump selection performance

型号 Type	流量 Capacity Q (m <sup>3</sup> /h)	扬程 Head H (m)	转速 Speed n (r/min)	必需汽 蚀余量 NPSHr (m)	效率 Efficiency η (%)	轴功率 Shaft Power P (kw)	配用电机 Mating motor		重量 Weight (kg)	泵外形尺寸 (长×宽×高) Overall dimensions L×W×H (mm)	口径 Dia. of pump	
							功率 Power (kw)	规格 Specif			吸入 Inlet (mm)	吐出 Outlet (mm)
250MS-ST	540	40	625	2.5	60	98.04	130	JS127-8	4318	1816×1510×1324	305	254
	972	37.5		3.8	76	130.61	155	JS128-8				
	1393.2	33		5.6	80	156.51	180	JS136-8				
250MS-ST	576	43.4	650	2.6	60	113.46	155	JS128-8	4318	1816×1510×1324	305	254
	1008	40.5		3.9	76	146.28						
	1450.8	35.7		6	80	176.31	180	JS136-8				
250MS-ST	594	46.6	675	2.8	60	125.64	250		4318	1816×1510×1324	305	254
	1044	43.5		4	76	162.73						
	1497.6	38.3		6.2	80	195.25	280					
250MS-ST	612	50.1	700	3	60	139.17	280		4318	1816×1510×1324	305	254
	1080	46.9		4.3	76	181.5						
	1454	41		6.7	80	216.05	315					
250MS-ST	648	54.3	730	3	60	159.71	280	JS1410-86KV	4318	1816×1510×1324	305	254
	1134	50.3		4.5	76	206.42	320	JS157-86KV				
	1620	45		7.2	80	248.16	380	JS158-86KV				
300MS-ST	504	16	300	2	60	36.6	55	Y315M-10	6409	1873×1874×1482	356	305
	900	15		4	74	49.7	75	Y35L2-10				
	1296	13.5		5	77	61.9	95	JS126-10				
300MS-ST	504	19	325	2	60	49.6	75	Y35L2-10	6409	1873×1874×1482	356	305
	954	17.8		4	74	62.5	95	JS126-10				
	1368	16		5.6	77	72.4	115	JS127-10				
300MS-ST	576	22	350	2	60	57.5	75	Y35L2-10	6409	1873×1874×1482	356	305
	1044	20.5		4.3	74	78.8	115	JS127-10				
	1470	18.7		6	77	97.6	130	JS128-10				
300MS-ST	612	25.1	375	2	60	60.7	130	JS128-10	6409	1873×1874×1482	356	305
	1084	23.7		4.5	74	94.2						
	1584	21.2		6.7	77	118.8	165	JS138-10				
300MS-ST	648	28.6	400	2	60	84.1	130	JS128-10	6409	1816×1510×1324	356	305
	1188	27		5	74	118						
	1692	24		7.3	77	143.6	165	JS138-10				
300MS-ST	648	32.3	425	2	60	100.3	130	JS128-10	6409	1816×1510×1324	356	305
	1260	30		5.3	74	139.1						
	1800	27.2		8	77	173.2	165	JS138-10				
300MS-ST	720	36.1	450	2	60	118	250		6409	1816×1510×1324	356	305
	1332	34		5.7	74	166.7						
	1908	31		8.7	77	209.2	315					
300MS-ST	756	39.6	470	4	60	135.9	210		6409	1816×1510×1324	356	305
	1368	37		6	74	186.3	280					
	1980	33.5		9.2	77	234.6	355					
300MS-ST	792	43	490	4	60	161	210	JS1410-12	6409	1816×1510×1324	356	305
	1440	40.5		6.4	74	223.6	260	JS158-12				
	2088	36.2		10	77	285.5	280	JS1510-12				
300MS-ST	828	49	525	4.4	60	184.2	250		6409	1816×1510×1324	356	305
	1512	46.2		6.8	74	257.1	400					
	2196	41.6		10.7	77	323.1	500					
300MS-ST	882	54	550	4.5	60	216.2	315		6409	1816×1510×1324	356	305
	1584	50.8		7.3	74	296.1	450					
	2304	45.9		11.7	77	374	560					
300MS-ST	943	60.6	585	4.9	60	259.4	400	JS1510-10	6409	1816×1510×1324	356	305
	1692	57.6		8	74	358.7						
	2455	51.6		13	77	448.1	480	JS1512-10				
100MS-X	93.6	27	1050	3.1	50	13.76	22	Y180L-4				
	172.8	25			65	18.1	30	Y200L-4				
	252	21.7			4	68	21.9	37				
100MS-X	100.8	30	1100	3.5	50	16.47						
	180	27.6			65	20.81	37	Y225S-4				
	262.8	24			4.5	68	25.26	45				
100MS-X	108	32	1150	3.7	50	18.82	55	Y250M-4				
	194.4	29.9			65	24.35	37	Y225S-4				
	277.2	26			4.8	68	28.86	45				

MS型渣浆泵性能参数 Type MS Slurry pump selection performance

型号 Type	流量 Capacity Q (m³/h)	扬程 Head H (m)	转速 Speed n (r/min)	必需汽 蚀余量 NPSHr (m)	效率 Efficiency η (%)	轴功率 Shaft Power P (kw)	配用电机 Mating motor		重量 Weight (kg)	泵外形尺寸 (长×宽×高) Overall dimensions L×W×H (mm)	口径 Dia. of pump	
							功率 Power (kw)	规格 Specif			吸入 Inlet (mm)	吐出 Outlet (mm)
100MS-X	115.2	35.4	1200	3	50	22.21	55	Y250M-4				
	201.6	32.2		4	65	27.2	45	Y225M-4				
	288	28.4		5	68	32.76						
100MS-X	111.6	38.5	1250	3.1	50	23.4	55	Y250M-4				
	205.2	85.5		4	65	30.52	75	Y280S-4				
	298.8	30.6		5.3	68	36.62	37	Y225S-4				
100MS-X	115.2	41.7	1300	3.4	50	26.16	55	Y250M-4				
	212.4	38.2		4.3	65	33.99	75	Y280S-4				
	309.6	33.4		5.7	68	41.41						
100MS-X	118.6	44.7	1350	3.5	50	58.94	55	Y250M-4				
	223.2	41		4.6	65	38.34	75	Y280S-4				
	324	35.6		6	68	46.19	45	Y225M-4				
100MS-X	122.4	48	1400	3.7	50	32	55	Y250M-4				
	226.8	44		4.8	65	41.81	75	Y280S-4				
	331.2	38.5		6.5	68	51.07	90	Y280M-4				
100MS-X	129.6	54	1480	4	50	38.1	75	Y280S-4				
	248.4	49.5		5.2	65	51.5	90	Y280M-4				
	356.4	43		7	68	61.4	110	Y315S-4				
100MS-X	133.2	56	1500	4	50	40.6	75	Y280S-4				
	252	51		5.3	65	53.8	90	Y280M-4				
	360	44		7.1	68	63.4	115	JS114-4				
100MS-X	140.4	63	1600	4.5	50	48.2	90	Y280M-4				
	268.2	57.5		6	65	64.6	110	T315S-4				
	385.2	50.5		8	68	77.9	115	JS114-4				
150MS-X	126	12	500	2	51	8.1	11	Y180L-8				
	225	11.4		2	66	10.6	18.5	Y225S-8				
	324	10		2	72	12.3	30	Y280M-8				
150MS-X	127.8	14	540	2	50	9.75	15	Y200L-8				
	237.6	13.5		2	66	13.2	22	Y225M-8				
	360	12		2	72	16.3	30	Y250M-8				
150MS-X	126	14.6	550	2	50	10	15	Y200L-8				
	252	13.5		2	67	13.8	22	Y225M-8				
	360	12.2		2	72	16.6	30	Y250M-8				
150MS-X	144	17.4	600	2	50	13.7	18.5	Y225S-8				
	270	16.3		2	66	18.2	30	Y250M-8				
	396	14.6		2.5	72	21.9	45	Y280M-8				
150MS-X	162	20.2	650	2	50	17.8	30	Y250M-8				
	306	19		2	67	23.6	37	Y280S-8				
	432	17		3	72	27.8	45	Y280M-8				
150MS-X	162	23.6	700	2	50	20.8	30	Y225M-6				
	306	22.2		2	66	28	45	Y280S-6				
	450	20		3.2	72	34	75	Y280S-4				
150MS-X	169.2	26	740	1	50	24	37	Y280S-8				
	324	24.5		2	66	32.8	55	Y315S-8				
	482.4	22		3.5	72	40.1	75	Y315M-8				
150MS-X	180	28.2	770	2	50	27.7	45	Y280S-6				
	342	27		2.3	66	38.1	55	Y280M-6				
	504	23.9		4	72	45.6	90	Y315M-6				
150MS-X	180	30.8	800	2	50	30.2	45	Y280S-6				
	360	29		2.4	66	43.1	75	Y280S-4				
	522	26		4.2	72	51.4	110	Y315M2-6				
150MS-X	197.3	34.6	850	2	50	37.2	55	Y280M-6				
	374	33		2.5	66	51	75	Y315S-6				
	554	29.3		5	72	61.4	110	Y315L1-6				
150MS-X	208.8	38.8	900	2	50	44.1	75	Y280S-4				
	396	37		3	66	60.5	90	Y280M-4				
	586.8	32.8		5.5	72	72.8	115	JS114-4				
150MS-X	218.2	42.3	940	2	50	50.3	75	Y315S-6				
	413.6	40.4		4	66	69	90	Y315M-6				
	612.7	35.8		6.5	72	83	110	Y315L1-6				

MS型渣浆泵性能参数 Type MS Slurry pump selection performance

型号 Type	流量 Capacity Q (m³/h)	扬程 Head H (m)	转速 Speed n (r/min)	必需汽 蚀余量 NPSHr (m)	效率 Efficiency η (%)	轴功率 Shaft Power P (kw)	配用电机 Mating motor		重量 Weight (kg)	泵外形尺寸 (长×宽×高) Overall dimensions L×W×H (mm)	口径 Dia. of pump	
							功率 Power (kw)	规格 规格 Specif			吸入 Inlet (mm)	吐出 Outlet (mm)
150MS-X	219.6	42.6	980	2	50	51	75	Y315S-6				
	414	40.8		4	66	70	90	Y315M-6				
	613.8	36		6.5	72	83.6	110	Y315L1-6				
150MS-X	234	48	1000	2	50	61.2	90	Y280M-4				
	441	45.8		4	66	83.4	110	Y315L1-6				
	648	40.5		7	72	99.3	115	JS114-4				
150MS-X	237.6	52.5	1050	2	50	68	110	Y315S-4				
	468	49.5		4	67	94.2						
	684	44		7	72	113.8						
150MS-X	252	58	1100	4	50	79.6	110	Y315S-4				
	565.2	53		6	70	116.5	115	JS114-4				
	720	49		8	72	133.4						
150MSH-X	144	23	500	2.5	45	20	45	Y315S-10				
	324	22		3.5	65	29.9	55	Y315M-10				
	486	20		6	65	40.7	65	JS117-10				
150MSH-X	180	34	600	2.5	45	37	110	Y315L2-8				
	360	32.5		4	63	50.6	110	Y315L2-8				
	540	30		7.5	65	67.9	60	JS115-8				
150MSH-X	180	38	635	2.5	44	42.4	55	Y315S-8				
	360	37		4	62	58.5	110	Y315L2-8				
	558	34.4		7.5	65	80.4						
150MSH-X	198	42	670	2.5	45	50.3	75	Y315M-8				
	378	40.6		4.5	62	67.4	110	Y315L2-8				
	558	38		7.5	65	88.8	132	Y315L2-6				
150MSH-X	216	46.5	700	2.5	45	60.8	75	Y315M-8				
	396	45		4.5	62	78.3	132	Y315L2-6				
	576	42.5		8.5	65	102.6	180	JS136-8				
150MSH-X	216	51.5	740	2.5	45	67.3	90	Y315L1-8				
	414	50		4.5	62	90.9	110	Y315L2-8				
	594	47.5		8.5	65	118.2	155	JS128-8				
150MSH-X	234	56	770	2.5	45	79.3	110	Y315L2-8				
	414	54.8		4.5	61	101.1	155	JS128-8				
	594	51		8.5	65	126.9	185	JS127-6				
150MSH-X	234	60.6	800	2.5	45	85.8	115	JS117-6				
	432	59.3		5.5	62	112.5	155	JS126-6				
	612	56		9	65	143.6	185	JS127-6				
150MSH-X	252	66	835	2.5	45	100.7	132	Y315L2-6				
	432	65		5.5	60	127.5	185	JS127-6				
	612	61		9.5	65	156.4						
150MSH-X	252	71	870	2.5	45	108.3	155	JS126-6				
	450	70		5.5	60	143	185	JS127-6				
	630	67.5		9.9	65	178.2						
150MSH-X	270	77	900	3	45	125.8	185	JS127-6				
	468	75		6.5	60	159.3						
	648	72.5		10.5	65	196.8						
150MSH-X	288	91	980	3.5	45	158.7	215	JS128-6				
	478.8	90		6.5	59	198.9	310	JS148-6				
	666	87		11	65	242.8	380	JS1410-6				
200MS-X	216	14	400	2.5	50	16.47	45	Y315S-10				
	396	12.9			65	21.4						
	576	11.5			71	25.41						
200MS-X	234	16.1	440	3.2	50	20.52	45	Y315S-10				
	432	15.4			65	27.81	55	Y315M-10				
	630	14			71	33.83						
200MS-X	252	19	470	2	50	26.08	45	Y315S-10				
	468	18		3.5	65	35.29	55	Y315M-10				
	684	16.3		71	42.76	75	Y315L2-10					
200MS-X	270	21.7	500	4	50	31.91	55	Y315M-10				
	504	20.1			67	41.18	75	Y315L2-10				
	720	18.5			71	51.09	95	JS126-10				



MS型渣浆泵性能参数 Type MS Slurry pump selection performance

型号 Type	流量 Capacity Q (m <sup>3</sup> /h)	扬程 Head H (m)	转速 Speed n (r/min)	必需汽 蚀余量 NPSHr (m)	效率 Efficiency η (%)	轴功率 Shaft Power P (kw)	配用电机 Mating motor		重量 Weight (kg)	泵外形尺寸 (长×宽×高) Overall dimensions L×W×H (mm)	口径 Dia. of pump		
							功率 Power (kw)	规格 Specif			吸入 Inlet (mm)	吐出 Outlet (mm)	
200MS-X	295.2	25	540	2.4	50	40.20	55	Y315M-10					
	540	23.5			66	52.36	75	Y315L2-10					
	774	21.3			71	63.24	95	JS126-10					
200MS-X	324	29	580	3	50	51.12	65	J <sub>R</sub> <sup>S</sup> 117-10					
	576	27.1			67	63.45	115	J <sub>R</sub> <sup>S</sup> 127-10					
	828	25			71	79.40	155	J <sub>R</sub> <sup>S</sup> 137-10					
200MS-X	331.2	31.1	600	3	50	56.10	90	Y315L1-8					
	612	29.2			67	72.64	110	Y315L2-8					
	864	26.5			71	87.82	155	JS128-8					
200MS-X	345.6	33.5	625	3.2	50	63.06	90	Y315L1-8					
	612	31.7			66	80.05	110	Y315L2-8					
	900	28.3			71	97.69	155	JS128-8					
200MS-X	360	36.2	650	3.5	50	70.98	110	Y315L2-8					
	648	34.2			67	90.08	130	JS127-8					
	936	31			71	111.3	155	JS128-8					
200MS-X	381.6	39.3	675	4	50	81.68	130	JS127-8					
	684	37			67	102.87	155	JS128-8					
	972	33.4			71	124.52	180	JS136-8					
200MS-X	414	42.5	700	2	50	95.83	155	JS128-8					
	720	39.8			67	116.48	180	JS136-8					
	1008	36.1			71	139.57							
200MS-X	432	46	730	2.1	50	108.24	130	J <sub>R</sub> <sup>S</sup> 127-8					
	741.6	43.1			67	129.92	245	J <sub>R</sub> <sup>S</sup> 138-8					
	1051.2	39.2			71	158.06	320	J <sub>R</sub> <sup>S</sup> 157-8					
250MS-X	316.8	12.7	350		50	18.26	45	Y315S-10					
	540	11.8			75	23.14							
	774	10.2			80	26.88							
250MS-X	360	16.2	400	2.2	60	26.47	55	Y315M-10					
	630	15.2			76	34.31	75	Y315L2-10					
	885.6	13.4			80	40.4							
250MS-X	381.6	19.7	440	2.4	60	34.12	75	Y315L2-10					
	684	18.5			76	46.34	95	JS126-10					
	986.4	16.4			80	55.07							
250MS-X	414	22.9	470	2.6	60	43.03	75	Y315L2-10					
	738	21			76	55.53	95	JS126-10					
	1051.2	18.4			80	65.84	110	JS127-10					
250MS-X	432	25.8	500	2	60	50.59	95	JS126-10					
	774	23.9			76	66.29	130	JS128-10					
	1116	20.8			80	79.02	155	JS137-10					
250MS-X	460.8	28.5	525	2.1	60	59.61	90	Y315L1-8					
	828	26.2			3	76	77.73	110					Y315L2-8
	1170	23			4.2	80	91.61	130					JS127-8
250MS-X	486	31	550	2.2	60	68.38	110	JS126-8					
	864	29			3.1	76	89.78	130					JS127-8
	1224	25.2			4.5	80	105						
250MS-X	504	34.1	580	2.3	60	78.01	95	J <sub>R</sub> <sup>S</sup> 126-8					
	900	32			3.3	76	103.2	155					J <sub>R</sub> <sup>S</sup> 137-8
	1296	28			5	80	123.53	200					J <sub>R</sub> <sup>S</sup> 1410-8
250MS-X	525.6	37	600	2.4	60	88.27	110	Y315L2-8					
	936	34.2			3.5	76	114.71	155					JS128-8
	1332	30.1			5.2	80	136.48	180					JS136-8
250MS-X	540	40	625	2.5	60	98.04	130	JS127-8					
	972	37.5			3.8	76	130.61	155					JS128-8
	1393.2	33			5.6	80	156.51	180					JS136-8
250MS-X	576	43.4	650	2.6	60	113.46	155	JS128-8					
	1008	40.5			3.9	76	146.28	180					JS136-8
	1450.8	35.7			6	80	176.31						
250MS-X	648	54.3	730	3	60	159.71	180	J <sub>R</sub> <sup>S</sup> 136-8					
	1134	50.8			4.5	76	206.42	280					J <sub>R</sub> <sup>S</sup> 1410-8
	1620	45			7.2	80	248.16	380					J <sub>R</sub> <sup>S</sup> 158-8

传动型式 Drive Type



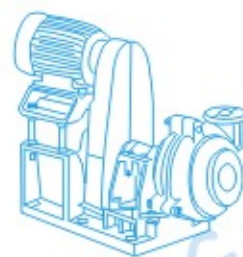
CR/CL传动  
CR/CL drive



DC传动  
DC drive

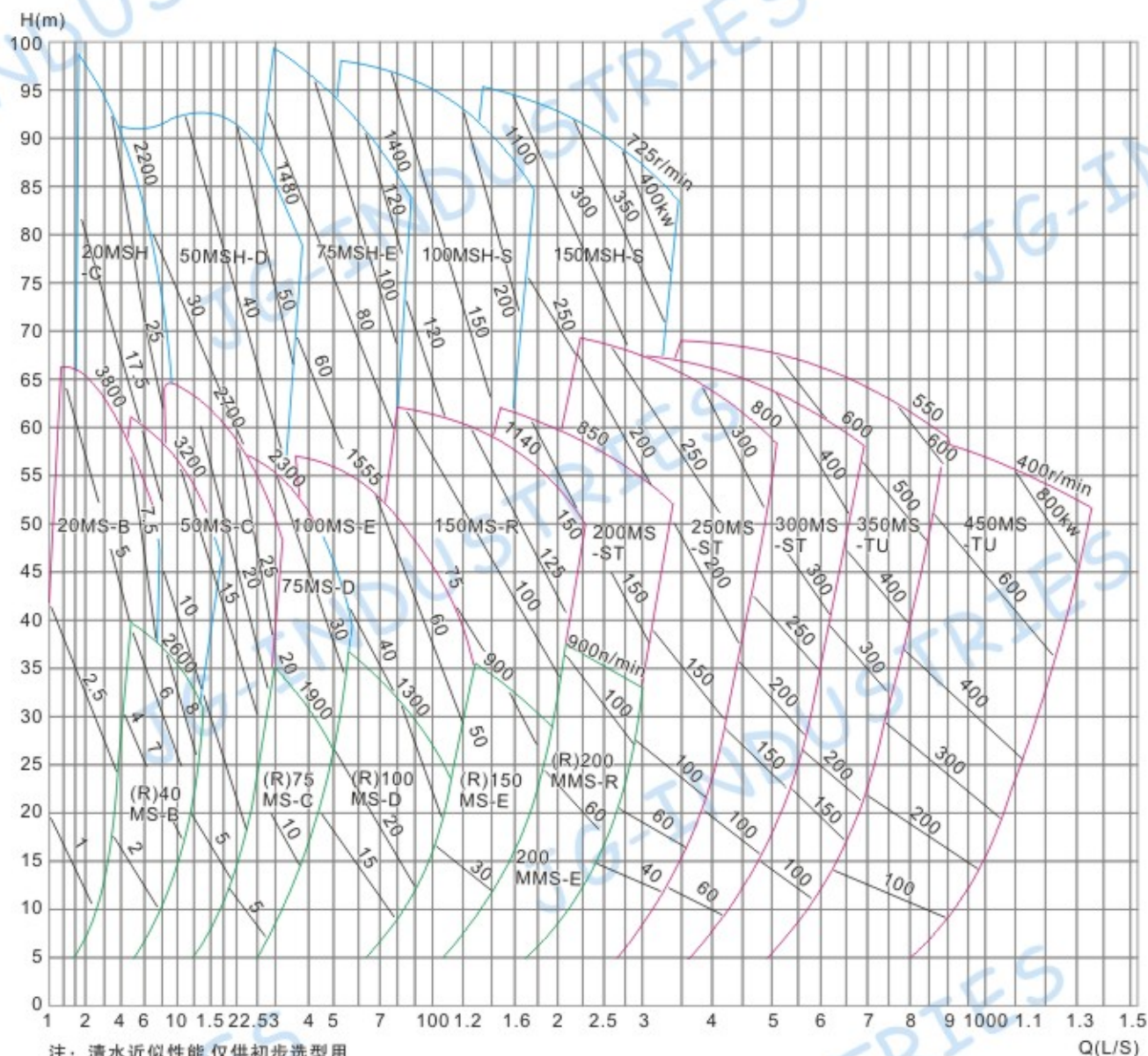


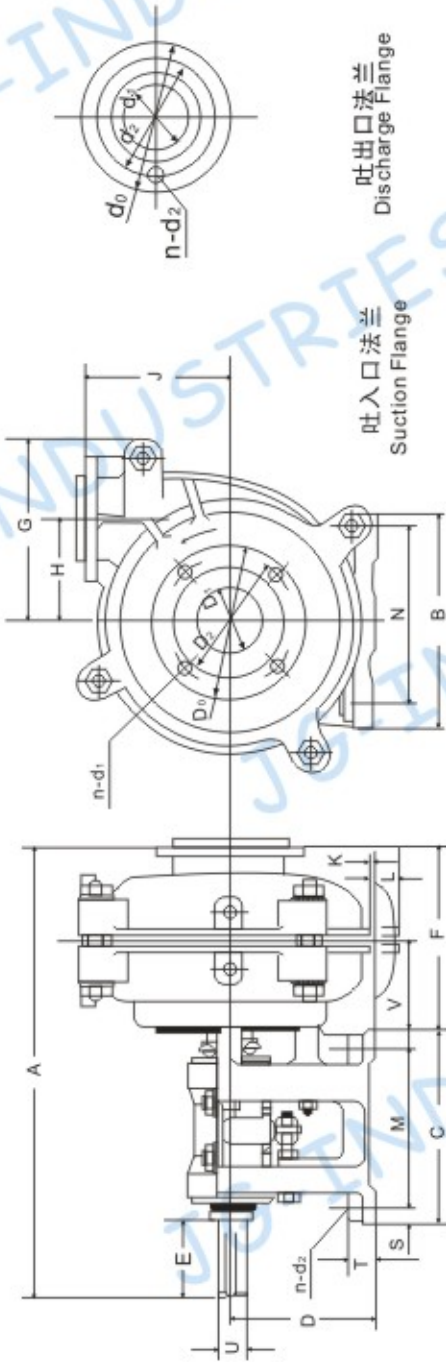
CV传动  
CV drive



ZVZ传动  
ZVZ drive

型谱图 Slection Chart





外形安装尺寸  
Outline and  
Installation  
Dimension

吐出口法兰  
Discharge Flange

吐入口法兰  
Suction Flange

型号 Type	外形安装尺寸																吐入口法兰 Suction Flange				吐出口法兰 Discharge Flange				泵重(kg) Pump weight			
	A	B	C	D	U	E	F	G	H	J	K	L	M	N	V	T	S	n-d	D0	D1	D2	n-d1	d0	d1	d2	n-d2	金属 Metal	橡胶 Rubber
20MSB	583	295	248	197	28	79	206	181	98	171	46	-	143	254	181	38	24	4-φ14	152	38	114	4-φ16	165	25	127	4-φ16	91	77
20MS+C	759	406	311	254	42	121	306	270	194	254	-	11	175	356	252	48	32	4-φ19	152	38	114	4-φ17	152	25	114	4-φ17	318	-
40MSB	592	295	248	197	28	79	217	205	114	184	33	-	143	254	184	38	24	4-φ14	184	51	146	4-φ19	165	38	127	4-φ19	104	118
50MS-C	768	406	311	254	42	121	281	238	138	210	71	-	175	356	233	48	32	4-φ19	216	76	178	4-φ19	184	51	146	4-φ19	191	154
50MS+D	986	492	364	330	65	164	389	384	254	368	-	51	213	432	298	64	38	4-φ22	216	76	178	8-φ19	203	51	165	8-φ19	750	-
75MS-C	843	406	311	254	42	121	354	292	149	262	24	-	175	356	270	48	32	4-φ19	279	102	235	4-φ22	229	76	191	4-φ22	263	236
75MS-D	943	492	364	330	65	164	353	292	149	262	100	-	213	432	279	64	38	4-φ22	279	102	235	4-φ22	229	76	191	4-φ22	363	290
75MS+E	1240	622	448	457	80	222	492	492	330	432	-	-	257	546	381	76	54	4-φ29	254	102	210	8-φ19	254	76	210	8-φ19	1250	-
100MS-D	1021	492	364	330	65	164	421	406	229	338	11	-	213	432	318	64	38	4-φ22	337	152	292	4-φ22	279	102	235	4-φ22	626	465
100MS-E	1178	622	448	457	80	222	433	406	229	338	138	-	257	546	351	76	54	4-φ29	337	152	292	4-φ22	279	102	235	4-φ22	728	635
100MS+H	1668	920	780	450	120	280	596	616	413	546	-	134	640	760	353	90	70	4-φ35	337	152	292	8-φ22	305	102	260	8-φ22	2880	-
150MS-E	1302	622	448	457	80	222	557	551	318	460	-	62	257	546	402	76	54	4-φ29	406	203	356	8-φ22	368	152	324	8-φ22	1473	982
50MS-R	1360	680	590	350	85	215	-	511	318	460	-	170	490	560	312	70	50	4-φ28	406	203	356	8-φ22	368	52	324	8-φ22	1655	-
200MS-ST	2275	1150	1040	650	150	350	852	835	584	813	-	160	880	900	538	125	80	4-φ48	432	203	376	8-φ29	432	152	375	8-φ29	6586	-
200MS-E	1337	622	448	457	80	222	584	613	381	470	-	83	257	546	403	76	54	4-φ29	502	254	445	8-φ29	432	203	375	8-φ29	1625	1202
(R)200MS+R	1395	680	590	350	85	215	-	613	381	470	-	190	490	560	314	70	50	4-φ28	502	254	445	8-φ29	432	203	375	8-φ29	1836	-
200MS-ST	1748	1150	780	650	120	280	692	673	419	635	27	-	620	900	439	125	80	4-φ48	502	254	445	8-φ29	432	203	375	8-φ29	3750	3130
230MS-ST	1816	1150	780	650	120	280	762	755	464	674	-	65	620	900	461	125	80	4-φ48	527	305	470	12-φ25	527	254	470	12-φ25	4318	3357
300MS-ST	1873	1150	780	650	120	280	812	937	629	832	-	224	620	900	486	125	80	4-φ48	585	356	521	12-φ25	552	305	495	12-φ25	6409	4672
350MS-TV	2320	1460	1050	900	150	350	953	1048	660	889	-	84	860	1200	597	150	95	4-φ79	705	406	641	12-φ35	673	356	610	12-φ29	10000	-
450MS-TV	2475	1460	1050	900	150	350	1100	1420	940	1230	-	420	860	1200	615	150	95	4-φ79	900	508	800	12-φ42	900	460	800	12-φ42	18864	15921



海/聚/精/工

Sea poly Seiko

Morality and Credit all over the world

德/信/天/下

## 石家庄精工水泵有限公司

SHIJIAZHUANG SEIKO PUMPS CO.,LTD

地址：中国石家庄市和平东路94号

电话：0311-86079818

传真：0311-86983818

邮编：050000

邮箱：jgpumps@163.com

网址：www.jg-industries.com

<http://blsbkj.cn.alibaba.com>

Addr: No.94 He Ping Eastern-Road,  
Shijiazhuang City, China.

Tel: +86-311-86079818

Fax: +86-311-86983818

P.C.: 050000

E-mail: cn.seikopumps@gmail.com

Web: www.jg-industries.com

<http://blsbkj.cn.alibaba.com>