

JG-INDUSTRIES

石家庄精工水泵有限公司

SHIJIAZHUANG SEIKO PUMPS CO.,LTD



品质稳固 专业承诺

博大精深——致力开拓与创新

Profound & Intensive Devote to Exploration and Innovation



精诚团结 科技创新

United with good faith, innovate with scientific technology

敬业务实 步步领先

Respect work and deal with concrete matters, lead step by step

力争上游 造福社会

Do all one can to go upward, benefit the society

勇于攀登 超越自我

Brave in climbing, surmount self



公司简介 ✓



石家庄精工水泵有限公司是国内大型工业泵专业制造企业，公司是集科研、设计、制造、销售、服务于一体的渣浆泵、污水泵、清水泵等大型综合性泵业公司，是国内渣浆泵行业的龙头企业。我公司是生产高效耐磨渣浆泵、脱硫泵、挖泥泵、抽砂泵、泥浆泵等杂质泵整机及配件的省级机械系统先进企业，市属骨干企业。公司下设铸造车间、机加工车间、锻焊车间、热处理车间、总装车间、检测性能实验室及成品库、备件库等。经过多年的市场开拓，我公司已经形成较为强大的市场辐射面。产品遍及全国30个省、市的电力、航道疏浚、煤炭、冶金、化工等行业；国际市场的占有份额不断提升，产品已出口北美、南美、欧洲、非洲、东南亚、中亚、北亚、东亚以及中东等五十多个国家和地区。

石家庄精工水泵有限公司在杂质泵的研制和应用方面有着多年的经验，在不断吸收国内外先进技术的基础上形成了性能范围覆盖面完善的产品系列。生产的渣浆泵系列主要有ZJ系列、ZJL系列、ZJD系列、MS系列、HS系列、LS系列；电厂浆液循环泵系列主要有TL/TLR系列、DT系列；船用泵系列：GS系列砂砾泵、WN系列挖泥泵；FGD辅助系统用泵有WFB系列、IH系列、IR系列、IHF系列、GC系列、D/DG系列等产品。

您的满意一直是我们的追求。公司非常注重服务与技术、服务与业务的结合，实现增值服务。随着企业的稳健发展，石家庄精工水泵有限公司建立和完善了销售服务网络，如今公司产品正高效的运行在诸如：国电电力、华电电力、大唐电力、首钢钢厂、鞍钢矿业、淮北矿业等全国重点工程项目和标志性建筑上。

石家庄精工水泵有限公司愿以优质的产品、完善的服务、良好的信誉为客户服务。愿与您共勉，真诚合作；为推动社会进步，创造市场繁荣而不懈努力。



Company Profile

Shijiazhuang Seiko Pumps Co. Limited is a professional manufacturing corporate of large domestic industrial pumps, the company is a research, design, manufacture, sales and service in one slurry pump, sewage pump, water pump, and other large-scale comprehensive pump company, is a leading corporate in slurry pump industry of domestic. The company is a provincial advanced corporate of mechanical systems to produce efficient wear-resistant slurry pump, desulphurization pump, dredging pump, gravel pump, mud pump and other impurities pump machine and accessories, is the city-owned backbone corporate. Companies consists of foundry workshop, machine workshop, forges welding workshop, heat treatment workshop, assembly workshop, the laboratory of detection performance and finished products, spare parts shop. After years of market development, the company has formed a strong market. Its products are popular among all places of China and they are exported to over fifty countries and districts, such as the south of America, the north of America, East Asia, West Asia, and Africa.

Shijiazhuang Seiko Pumps Co. Limited has many years of experience in the development and application of the impurities pump, The production of slurry pump series : ZJ series, ZJL series, ZJD Series, MS Series, HS Series, LS Series; The power plant slurry circulating pump series : TLR / TLR Series, DT Series; Marine pumps Series: GS series gravel pump, WN Series Dredging pump; FGD pumps: WFB series, IH Series, IR Series, IHF Series, GC Series and D / DG series.

Your satisfaction is our pursuit. Company has great emphasis on service and combination of technologies, services and business to achieve value-added services. Shijiazhuang Seiko Pumps Co. Limited has established and improved the sales and service network with the steady development, the company's products are now efficient operation on the national key projects and landmark buildings, such as: GD Power, Huadian Power, Datang Power, Shougang Steel, Anshan Iron and Steel Mining and Huaibei mining

Shijiazhuang Seiko Pumps Co. Limited willing to provide customers with high-quality products, perfect service, good reputation, willing to work with you to encourage each other, and cooperate in good faith, unremitting efforts to promote social progress and create market prosperity.

ZJ、ZJL型渣浆泵

ZJ/ZJL Slurry Pump

概述General

ZJ渣浆泵属高效、节能、耐磨产品，按最小损失原则设计，易选型、振动轻、噪音低。该系列泵过流部件采用高硬度合金混合材质，具有高抗磨性，抗冲击性，从而提高了使用寿命。该泵输送最大浓度：灰浆45%，矿浆60%。传动形式可采用直联、皮带、液力、变频调速等，也可串联或并联。轴封形式主要有付叶轮加填料和机械密封两种。泵头结构为双壳垂直中开式，出水口位置可按45度间隔旋转8个不同位置安装使用。

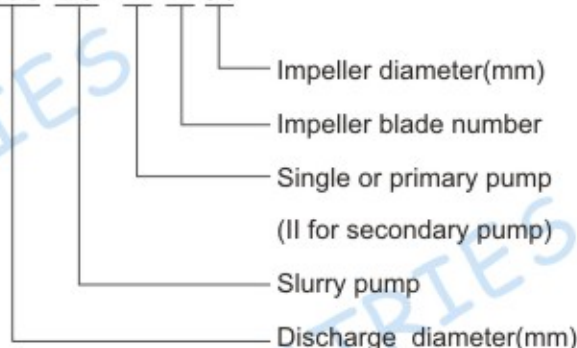
ZJ slurry pump of high efficiency, energy saving, wear-resisting products, according to the principle of minimum loss design, easy selection, vibration light, low noise. This series of pump flow components using high hardness alloy hybrid material, high abrasion resistance, impact resistance, so as to increase the service life. The pump delivery of the largest concentrations: mortar 45%, 60% of the pulp. Drive form can use direct coupling, belts, hydraulic, frequency control of motor speed and so on, also may in series or parallel. Shaft seal form mainly pay impeller and packing and mechanical seal two. Pump head structure for double hull vertical open, outlet position according to 45 degrees of interval rotating eight different position installation and use.

型号意义Notation

200 ZJ - I - A 60

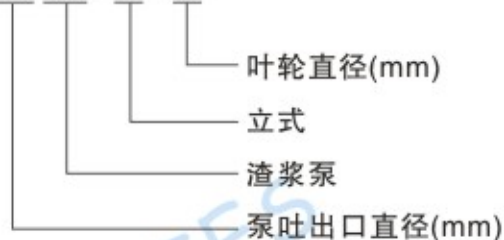


200 ZJ - I - A 60

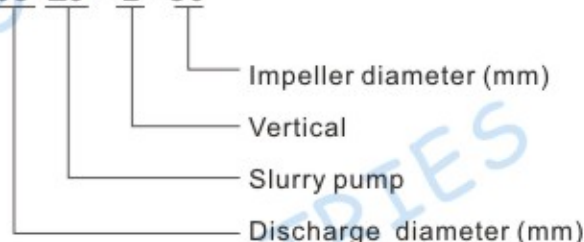


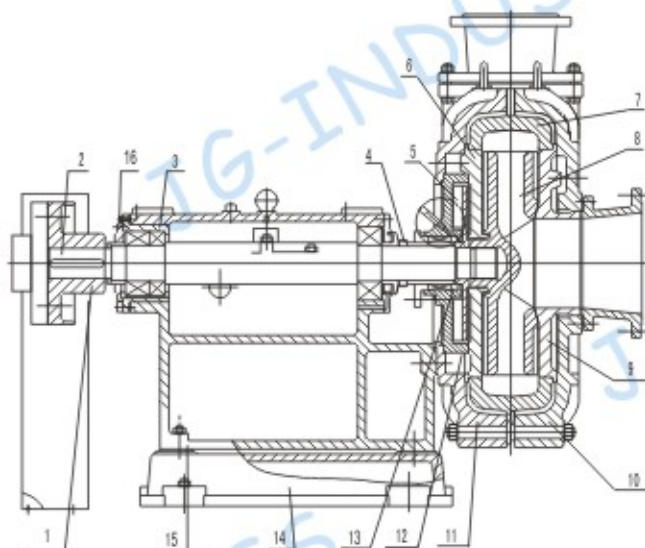
代号 code	A	B	C	D	E	F	G	...
叶片数目 Blade number	5	4	3	2	1	6	7	...

65 ZJ - L - 30



65 ZJ - L - 30





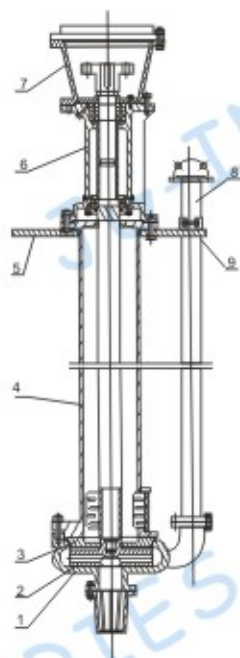
ZJ 型渣浆泵结构图

Structural Drawing of ZJ Slurry Pumps

- | | | |
|-----------------------|------------------------|--------------------------|
| 1、联轴器coupling | 7、蜗壳Volute casing | 12、填料箱Stuffing box |
| 2、轴shaft | 8、叶轮Impeller | 13、水封环Water-seal |
| 3、轴承箱Bearing box | 9、前护板Front liner Plate | 14、底座Base |
| 4、拆卸环Disassembly ring | 10、前泵壳Front casing | 15、托架Support |
| 5、副叶轮Empeller | 11、后泵壳Rear casing | 16、调节螺钉底座Adjusting bolts |
| 6、后护板Rear liner plate | | |

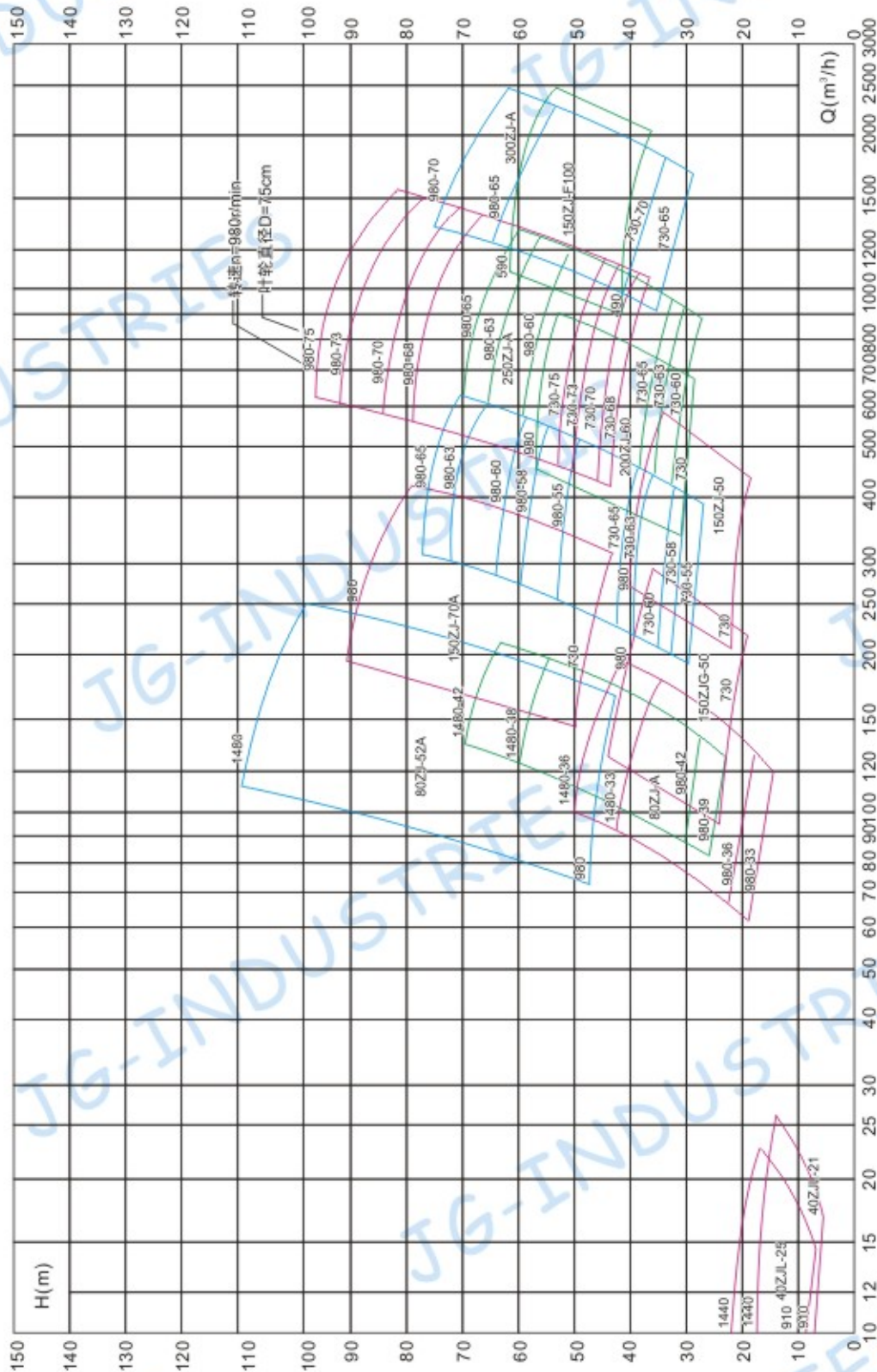
ZJL型渣浆泵结构图

Structural Drawing of ZJL Slurry Pumps



- | |
|------------------------------|
| 1、蜗壳Volute casing |
| 2、叶轮Impeller |
| 3、后护板Rear liner plate |
| 4、支架Support |
| 5、左支承板Left supporting plate |
| 6、轴承体Bearing body |
| 7、电机支座Motor supporting |
| 8、出水管Drain pipe |
| 9、右支承板Right supporting plate |

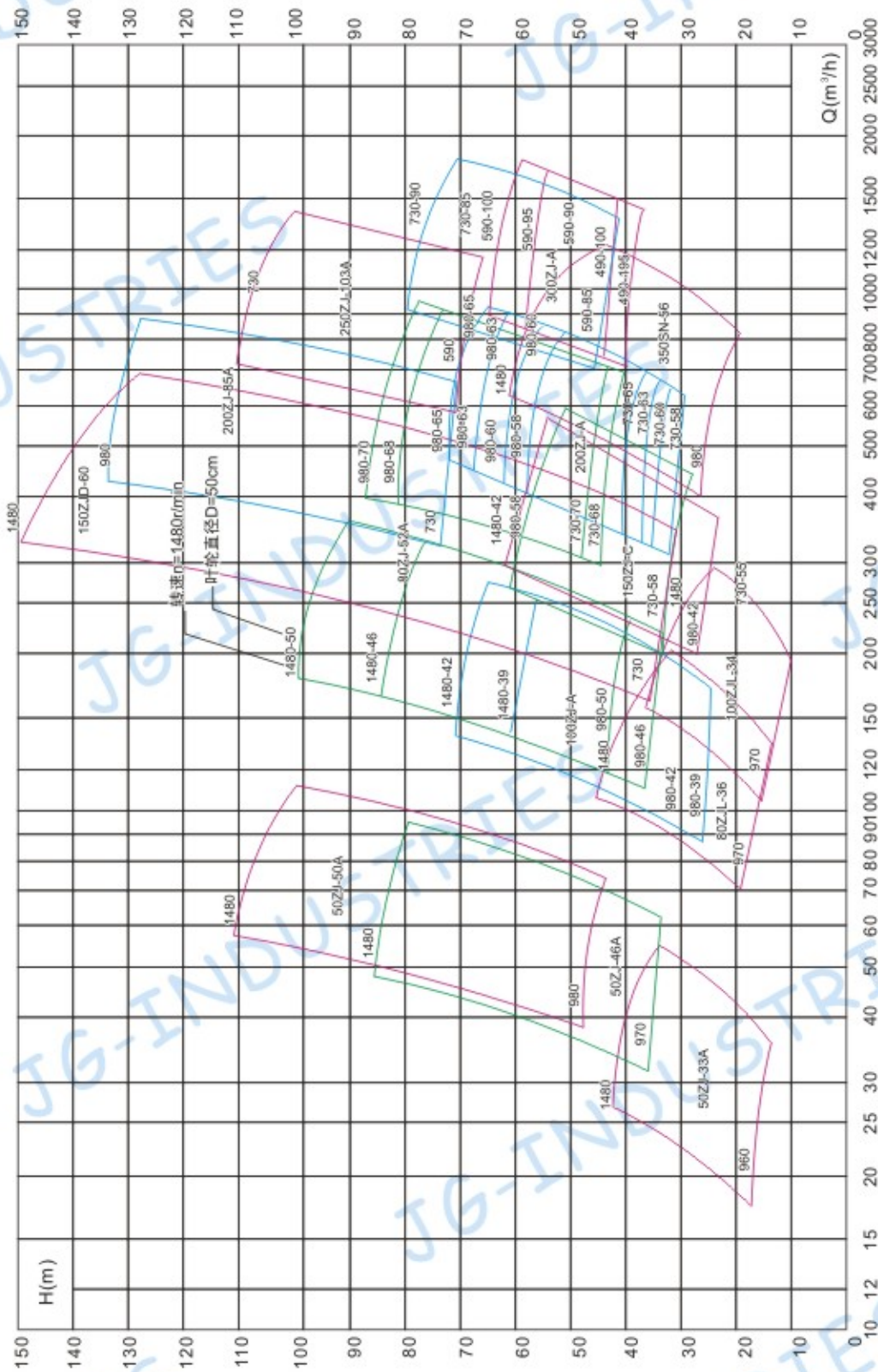
ZJ系列渣浆泵型谱图 (1)
Graphical Performance of the ZJ Series Slurry Pumps(1)



注：此图为清水性能，仅供初步选型用。

Note: Approximate clear water performance for preliminary pump selection only.

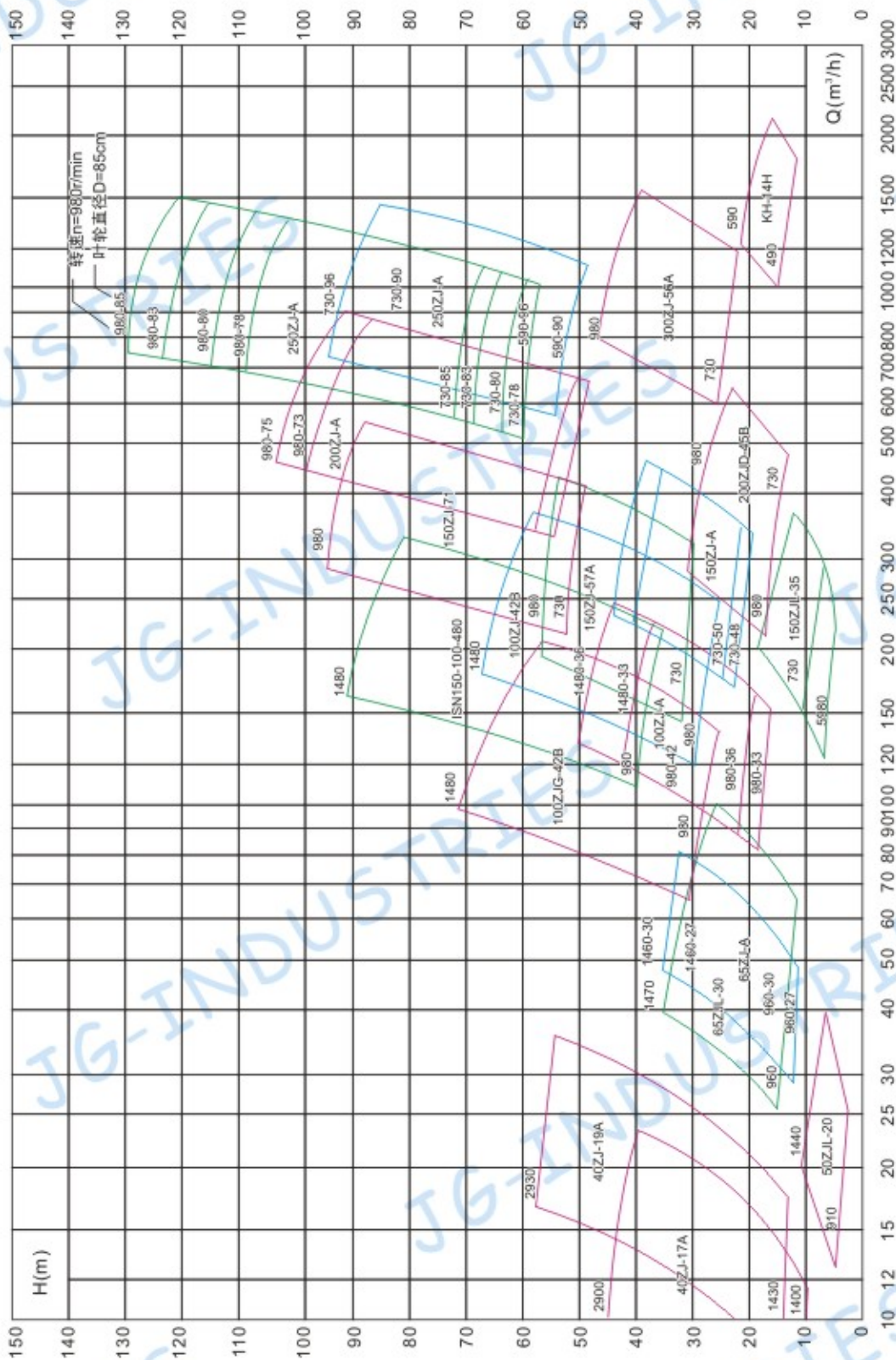
ZJ系列渣浆泵型谱图 (2)
Graphical Performance of the ZJ Series Slurry Pumps(2)



注：此图为清水性能，仅供初步选型用。

Note: Approximate clear water performance for preliminary pump selection only.

ZJ系列渣浆泵型谱图 (3)
Graphical Performance of the ZJ Series Slurry Pumps(3)



注：此图为清水性能，仅供初步选型用。

Note: Approximate clear water performance for preliminary pump selection only.

ZJ型渣浆泵性能参数 Type ZJ selection performance

表1

型号 Type	转速 Speed n (r/min)	流量 Capacity Q (m³/h)	扬程 Head H (m)	轴功率 Shaft Power Pa (KW)	效率 Efficiency (%)	重量 Weight (kg)	必需汽 蚀余量 (NPSH)r (m)	配套电机 Matingmotor	
								型号 Type	功率/电压 Power/Volt KW/V
350ZJ-I-F100	590	1035 1988 2339	62.8 59.4 55.0	293.1 417.6 455.6	60.4 77.0 76.9	5465	5.8	Y450-10 Y500-10 Y500-10	355 / 6000 500 / 6000 560 / 6000
	490	860 1651 1943	43.3 41.0 37.9	167.9 239.4 260.8	60.4 77.0 76.9	5465	4.4	Y450-12 Y500-12 Y500-12	220 / 6000 315 / 6000 315 / 6000
300ZJ-I-A100	590	913 1785 1826	65.2 59.7 59.3	243.0 361.0 365.4	66.7 80.4 80.7	5265	4.1	Y450-10 Y500-10 Y500-10	315 / 6000 450 / 6000 450 / 6000
	490	758 1482 1517	45.0 41.2 40.9	139.3 206.8 209.4	66.7 80.4 80.7	5265	3.0	Y450-12 Y500-12 Y500-12	185 / 6000 250 / 6000 250 / 6000
300ZJ-I-A95	590	867 1696 1735	58.8 53.9 53.5	217.9 321.6 325.3	63.7 77.4 77.7	5220	4.1	Y450-10 Y500-10 Y500-10	280 / 6000 400 / 6000 400 / 6000
	490	720 1408 1441	40.6 37.2 36.9	125.0 184.3 186.4	63.7 77.4 77.7	5220	3.0	Y450-12 Y500-12 Y500-12	180 / 6000 220 / 6000 220 / 6000
300ZJ-I-A90	730	922 1648 1844	79.9 73.6 70.7	290.3 410.3 436.2	69.1 80.5 81.4	5005	5.7	Y450-8 Y500-8 Y500-8	355 / 6000 500 / 6000 560 / 6000
	590	742 1332 1490	52.2 48.1 46.2	153.3 216.7 230.3	69.1 80.5 81.4	5005	3.9	Y450-10 Y450-10 Y450-10	185 / 6000 280 / 6000 280 / 6000
300ZJ-I-A85	730	871 1556 1742	71.3 65.6 63.1	255.9 358.7 381.8	66.1 77.5 78.4	4965	5.6	Y450-8 Y450-8 Y450-8	315 / 6000 450 / 6000 450 / 6000
	590	704 1258 1408	46.6 42.9 41.2	135.2 189.6 201.5	66.1 77.5 78.4	4965	3.8	Y355L2-10 Y450-10 Y450-10	160 / 380 220 / 6000 250 / 6000
300ZJ-I-A70	980	1269 2118 2333	76.8 66.7 64.0	368.6 480.9 505.8	72.0 80.0 80.4	3560	7.0	Y450-6 Y450-6 Y450-6	450 / 6000 630 / 6000 630 / 6000
	730	945 1578 1738	42.6 37.0 35.5	152.3 198.8 209.0	72.0 80.0 80.4	3560	3.9	Y355L1-8 Y400-8 Y400-8	185 / 380 250 / 6000 250 / 6000
300ZJ-I-A65	980	1178 1967 2166	66.2 57.5 55.2	307.8 400.0 420.7	69.0 77.0 77.4	3531	6.6	Y450-6 Y450-6 Y450-6	400 / 6000 500 / 6000 500 / 6000
	730	877 1465 1614	36.7 31.9 30.6	127.0 165.3 173.8	69.0 77.0 77.4	3531	3.7	Y355M2-8 Y355L2-8 Y400-8	160 / 380 200 / 380 220 / 6000
300ZJ-I-A56	980	789 1415 1568	46.0 40.8 38.8	148.6 195.6 204.8	66.5 80.4 80.9	3030	5.5	Y355M2-6 Y355L2-6 Y355L2-6	185 / 380 250 / 380 250 / 380
	730	588 1054 1168	25.8 22.6 21.5	61.4 80.7 84.5	66.5 80.4 80.9	3030	3.5	Y315M-8 Y315L2-8 Y315L2-8	75 / 380 110 / 380 110 / 380

ZJ型渣浆泵性能参数 Type ZJ selection performance

表2

型号 Type	转速 Speed n (r/min)	流量 Capacity Q (m ³ /h)	扬程 Head H (m)	轴功率 Shaft Power Pa (KW)	效率 Efficiency (%)	重量 Weight (kg)	必需汽 蚀余量 (NPSH)r (m)	配套电机 Matingmotor	
								型号 Type	功率/电压 Power/Volt KW/V
250ZJ-I-A103	730	734 1067 1573	110.5 106.7 98.8	366.6 445.5 568.7	60.3 69.6 74.5	5085	4.3	Y450-8 Y500-8 Y500-8	450 / 6000 560 / 6000 710 / 6000
	590	593 862 1271	72.2 69.7 64.6	193.4 235.1 300.1	60.3 69.6 74.5	5085	2.8	Y450-10 Y450-10 Y450-10	250 / 6000 280 / 6000 355 / 6000
250ZJ-I-A96	730	736 1076 1466	93.7 90.0 84.5	290.7 356.4 433.6	64.6 74.0 77.8	5035	5.5	Y450-8 Y450-8 Y500-8	355 / 6000 450 / 6000 560 / 6000
	590	595 870 1185	61.2 58.8 55.2	153.5 188.3 229.0	64.6 74.0 77.8	5035	3.5	Y450-10 Y450-10 Y450-10	185 / 6000 250 / 6000 280 / 6000
250ZJ-I-A90	730	690 1009 1374	82.4 79.1 74.3	255.5 310.5 376.7	60.6 70.0 73.8	4980	5.3	Y450-8 Y450-8 Y450-8	315 / 6000 400 / 6000 450 / 6000
	590	558 816 1111	53.8 51.7 48.5	134.9 164.1 198.8	60.6 70.0 73.8	4980	3.4	Y355L2-10 Y450-10 Y450-10	160 / 380 200 / 6000 250 / 6000
250ZJ-I-A85	980	752 1248 1504	128.7 124.4 120.4	446.0 587.2 652.3	59.1 72.0 75.6	4530	5.5	Y450-6 Y500-6 Y500-6	560 / 6000 710 / 6000 800 / 6000
	30	560 930 1120	71.4 69.0 66.8	184.2 242.7 269.5	59.1 72.0 75.6	4530	3.5	Y400-8 Y450-8 Y450-8	220 / 6000 315 / 6000 315 / 6000
250ZJ-I-A83	980	734 1219 1469	122.7 118.6 114.8	422.1 554.5 615.6	58.1 71.0 74.6	4514	5.5	Y450-6 Y500-6 Y500-6	500 / 6000 710 / 6000 800 / 6000
	730	547 908 1094	68.1 65.5 63.7	174.6 229.2 254.4	58.1 71.0 74.6	4514	3.5	Y400-8 Y400-8 Y450-8	220 / 6000 280 / 6000 315 / 6000
250ZJ-I-A80	980	708 1175 1416	114.0 110.2 106.7	391.8 511.1 566.7	56.1 69.0 72.6	4490	5.4	Y450-6 Y450-6 Y500-6	500 / 6000 630 / 6000 710 / 6000
	730	527 575 1054	63.2 61.1 59.2	161.7 211.0 234.1	56.1 69.0 72.6	4490	3.4	Y400-8 Y400-8 Y400-8	200 / 6000 280 / 6000 280 / 6000
250ZJ-I-A78	980	830 1430 1796	102.5 92.1 84.2	374.9 500.9 559.5	61.8 71.6 73.6	4474	6.3	Y450-6 Y450-6 Y450-6	450 / 6000 560 / 6000 630 / 6000
	730	618 1065 1338	56.9 51.1 46.7	155.0 207.0 231.2	61.8 71.6 73.6	4474	3.2	Y355L1-8 Y400-8 Y400-8	185 / 380 250 / 6000 280 / 6000
250ZJ-I-A75	980	600 1100 1480	97.5 92.0 83.2	255.7 362.6 443.6	62.3 76.0 75.6	3480	4.1	Y400-6 Y450-6 Y450-6	315 / 6000 450 / 6000 560 / 6000
	730	447 819 1102	54.1 51.0 46.2	105.7 149.7 183.4	62.3 76.0 75.6	3480	3.0	Y355M1-8 Y355L1-8 Y400-8	132 / 380 185 / 380 220 / 6000

ZJ型渣浆泵性能参数 Type ZJ selection performance

表3

型号 Type	转速 Speed n (r/min)	流量 Capacity Q (m³/h)	扬程 Head H (m)	轴功率 Shaft Power Pa (KW)	效率 Efficiency (%)	重量 Weight (kg)	必需汽 蚀余量 (NPSH)r (m)	配套电机 Matingmotor	
								型号 Type	功率/电压 Power/Volt KW/V
250ZJ-I-A73	980	584	92.4	239.7	61.3	3466	4.1	Y400-6	280 / 6000
		1071	87.2	339.1	75.0			Y400-6	400 / 6000
1441		78.8	414.5	74.6	Y450-6			500 / 6000	
730	435	51.3	99.1	61.3	3466	3.0	Y355M1-8	132 / 380	
	797	48.3	139.8	75.0			Y355L1-8	185 / 380	
1073	43.8	171.6	74.6	Y355L2-8			200 / 380		
250ZJ-I-A70	980	560	84.9	218.3	59.3	3466	3.9	Y400-6	280 / 6000
		1027	80.1	306.9	73.0			Y400-6	400 / 6000
1381		72.5	375.6	72.6	Y450-6			450 / 6000	
730	417	47.1	90.2	59.3	3466	2.9	Y315L2-8	110 / 380	
	764	44.4	126.5	73.0			Y355M2-8	160 / 380	
1029	40.2	155.2	72.6	Y355L1-8			185 / 380		
250ZJ-I-A68	980	544	80.1	203.5	58.3	3432	3.7	Y355-6	250 / 6000
		997	75.6	285.1	72.0			Y400-6	355 / 6000
1342		68.4	349.1	71.6	Y450-6			450 / 6000	
730	405	44.5	84.2	58.3	3432	2.7	Y315L2-8	110 / 380	
	743	41.9	117.8	72.0			Y355M2-8	160 / 380	
999	38.0	144.4	71.6	Y355L1-8			185 / 380		
250ZJ-I-A65	980	597	71.0	178.1	64.8	3020	4.5	Y355-6	220 / 6000
		970	66.2	233.2	75.0			Y400-6	280 / 6000
1249		61.4	271.6	76.9	Y400-6			315 / 6000	
730	445	39.4	73.7	64.8	3020	3.0	Y355L1-8	90 / 380	
	723	36.7	96.3	75.0			Y355M1-8	132 / 6000	
930	34.1	112.3	76.9	Y355M1-8			132 / 380		
250ZJ-I-A63	980	579	66.7	164.8	63.8	3008	4.5	Y355-6	200 / 6000
		940	62.2	215.2	74.0			Y355-6	250 / 6000
1211		57.7	250.7	75.9	Y400-6			315 / 6000	
730	431	37.0	68.1	63.8	3008	3.0	Y315L1-8	90 / 380	
	701	34.5	89.0	74.0			Y355L2-8	110 / 380	
901	32.0	103.4	75.9	Y355M1-8			132 / 380		
250ZJ-I-A60	980	551	60.5	146.9	61.8	2991	4.2	Y355M2-6	185 / 380
		895	56.4	190.9	72.0			Y355L2-6	250 / 380
1153		52.3	222.2	73.9	Y400-6			280 / 6000	
730	411	33.6	60.7	61.8	2991	2.8	Y315M-8	75 / 380	
	667	31.3	79.0	72.0			Y315L2-8	110 / 380	
858	29.1	92.0	73.9	Y315L2-8			110 / 380		
200ZJ-I-A85	980	441	133.7	321.1	50.0	4110	5.0	Y400-6	400 / 6000
		858	128.2	437.9	68.4			Y450-6	560 / 6000
907		127.9	448.1	70.5	Y450-6			560 / 6000	
730	329	74.2	133.0	50.0	4110	2.8	Y355M2-8	160 / 380	
	639	71.1	180.9	68.4			Y400-8	220 / 6000	
676	71.0	185.4	70.5	Y400-8			220 / 6000		
200ZJ-I-A75	980	450	102.9	205.4	61.4	3070	4.5	Y355-6	250 / 6000
		750	95.7	271.5	72.0			Y400-6	355 / 6000
900		91.0	306.4	72.8	Y400-6			355 / 6000	
730	335	57.1	84.8	61.4	3070	3.0	Y315L2-8	110 / 380	
	559	53.1	112.3	72.0			Y355M1-8	132 / 380	
670	50.5	126.6	72.8	Y355M2-8			160 / 380		

ZJ型渣浆泵性能参数 Type ZJ selection performance

表4

型号 Type	转速 Speed n (r/min)	流量 Capacity Q (m ³ /h)	扬程 Head H (m)	轴功率 Shaft Power Pa (KW)	效率 Efficiency (%)	重量 Weight (kg)	必需汽 蚀余量 (NPSH)r (m)	配套电机 Matingmotor	
								型号 Type	功率/电压 Power/Volt KW/V
200ZJ-I-A73	980	438 730 876	97.5 90.7 86.2	192.5 254.0 286.4	60.4 71.0 71.8	3056	4.5	Y355-6 Y400-6 Y400-6	250 / 6000 315 / 6000 355 / 6000
	730	326 544 652	54.1 50.3 47.8	79.5 105.0 118.2	60.4 71.0 71.8	3056	3.0	Y315L2-8 Y355M1-8 Y355M2-8	110 / 380 132 / 380 160 / 380
200ZJ-I-A70	980	409 738 976	86.4 82.3 77.6	172.5 230.7 272.8	55.8 71.7 75.6	2465	3.8	Y355M3-6 Y400-6 Y400-6	200 / 380 280 / 6000 315 / 6000
	730	305 550 724	47.9 45.7 43.1	71.3 95.5 112.9	55.8 71.7 75.6	2465	2.8	Y355L1-8 Y355M1-8 Y355M1-8	90 / 380 132 / 380 132 / 380
200ZJ-I-A68	980	397 717 948	81.5 77.7 73.2	160.8 214.6 253.3	54.8 70.7 74.6	2453	3.8	Y355M3-6 Y355-6 Y400-6	200 / 380 250 / 6000 315 / 6000
	730	296 534 706	45.2 43.1 40.7	66.5 88.7 104.9	54.8 70.7 74.6	2453	2.8	Y315L1-8 Y315L2-8 Y315M1-8	90 / 380 110 / 380 132 / 380
200ZJ-I-A65	980	470 820 950	72.0 68.1 65.6	145.8 197.5 213.2	63.2 77.0 79.6	2323	4.3	Y355M2-6 Y355-6 Y355-6	185 / 380 250 / 6000 250 / 6000
	730	350 611 708	40.0 37.8 36.4	60.3 81.7 88.2	63.2 77.0 79.6	2323	2.5	Y315M-8 Y315L2-8 Y315L2-8	75 / 380 110 / 380 110 / 380
200ZJ-I-A63	980	456 795 921	67.6 64.0 61.6	135.0 182.3 196.6	62.2 76.0 78.6	2311	4.3	Y355M1-6 Y355-6 Y355-6	160 / 380 220 / 6000 250 / 6000
	730	339 592 686	37.5 35.5 34.2	55.7 75.3 81.3	62.2 76.0 78.6	2311	2.5	Y315M-8 Y315L2-8 Y315L2-8	75 / 380 110 / 380 110 / 380
200ZJ-I-A60	980	435 740 870	62.0 58.0 55.5	114.0 146.1 159.0	64.4 80.0 82.7	2223	4.0	Y315L2-6 Y355M2-6 Y355M2-6	132 / 380 185 / 380 185 / 380
	730	324 551 648	34.4 32.2 30.8	47.1 60.4 65.7	64.4 80.0 82.7	2223	2.5	Y315M-8 Y315L1-8 Y315L1-8	75 / 380 90 / 380 90 / 380
200ZJ-I-A58	980	421 715 841	57.9 54.2 51.9	104.7 133.6 145.5	63.4 79.0 81.7	2214	4.0	Y315L2-6 Y355M1-6 Y355M2-6	132 / 380 160 / 380 185 / 380
	730	313 533 626	32.1 30.1 28.8	43.2 55.3 60.1	63.4 79.0 81.7	2214	2.5	Y315S-8 Y315M-8 Y315M-8	55 / 380 75 / 380 75 / 380
150ZJ-I-A71	980	284 486 552	93.8 89.3 87.1	133.9 174.3 188.4	54.2 67.8 69.5	2263	4.0	Y355M1-6 Y355L1-6 Y355L1-6	160 / 380 220 / 380 220 / 380
	730	212 362 411	52.0 49.6 48.3	55.4 72.1 77.8	54.2 67.8 69.5	2263	2.4	Y315M1-8 Y315M2-8 Y315M2-8	75 / 380 90 / 380 90 / 380

ZJ型渣浆泵性能参数 Type ZJ selection performance

表5

型号 Type	转速 Speed n (r/min)	流量 Capacity Q (m ³ /h)	扬程 Head H (m)	轴功率 Shaft Power Pa (KW)	效率 Efficiency (%)	重量 Weight (kg)	必需汽 蚀余量 (NPSH)r (m)	配套电机 Matingmotor	
								型号 Type	功率/电压 Power/Volt KW/V
150ZJ-I-A70	980	186 285 401	91.2 87.1 79.8	95.4 115.8 139.9	48.4 58.4 62.3	2245	3.0	Y315L2-6 Y355M1-6 Y355M2-6	132 / 380 160 / 380 185 / 380
	730	139 212 299	50.6 48.3 44.3	39.6 47.7 57.9	48.4 58.4 62.3	2245	2.0	Y315S-8 Y315M-8 Y315M-8	55 / 380 75 / 380 75 / 380
150ZJ-I-A65	980	300 500 600	75.7 73.0 69.4	112.0 144.1 161.5	55.2 69.0 70.2	2223	4.0	Y315L2-6 Y355M2-6 Y355M3-6	132 / 380 185 / 380 200 / 380
	730	223 372 447	42.0 40.5 38.5	46.2 59.5 66.8	55.2 69.0 70.2	2223	2.5	Y315M-8 Y315M-8 Y315L1-8	75 / 380 75 / 380 90 / 380
150ZJ-I-A63	980	291 485 582	71.1 68.6 65.2	104.0 133.2 149.3	54.2 68.0 69.2	2211	4.0	Y315L2-6 Y355M1-6 Y355M2-6	132 / 380 160 / 380 185 / 380
	730	216 361 433	39.5 38.0 36.2	42.9 54.9 61.7	54.2 68.0 69.2	2211	2.5	Y315S-8 Y315M-8 Y315M-8	55 / 380 75 / 380 75 / 380
150ZJ-I-A60	980	270 470 550	63.5 60.5 58.7	80.2 107.6 117.9	58.2 72.0 74.6	2203	3.8	Y315L1-6 Y315L2-6 Y355M1-6	110 / 380 132 / 380 160 / 380
	730	201 350 410	35.2 33.6 32.6	33.1 44.5 48.8	58.2 72.0 74.6	2203	2.5	Y280M-8 Y315S-8 Y315M-8	45 / 380 55 / 380 75 / 380
150ZJ-I-A58	980	261 454 532	59.3 56.5 54.8	73.7 98.4 108.1	57.2 71.0 73.6	2033	3.8	Y315M-6 Y315L2-6 Y315L2-6	90 / 380 132 / 380 132 / 380
	730	194 338 396	32.9 31.4 30.5	30.4 40.7 44.7	57.2 71.0 73.6	2033	2.5	Y280S-8 Y315S-8 Y315S-8	37 / 380 55 / 380 55 / 380
150ZJ-I-C58	980	268 458 596	61.0 56.0 51.2	78.7 105.5 120.3	56.6 66.2 69.1	2063	3.2	Y315L1-6 Y355L2-6 Y355M1-6	110 / 380 132 / 380 160 / 380
	730	200 341 444	33.8 31.1 28.4	32.5 43.6 49.7	56.6 66.2 69.1	2063	2.0	Y280M-8 Y315S-8 Y315M-8	45 / 380 55 / 380 75 / 380
150ZJ-I-A57	980	190 301 427	56.3 55.4 52.9	63.2 77.6 92.4	46.1 58.5 66.6	2023	2.9	Y315M-6 Y315L1-6 Y315L1-6	90 / 380 110 / 380 110 / 380
	730	142 224 318	31.2 30.7 29.4	26.2 32.0 38.2	46.1 58.5 66.6	2023	1.8	Y280S-8 Y280M-8 Y315S-8	37 / 380 45 / 380 55 / 380
150ZJ-I-A55	980	248 431 504	53.4 50.8 49.3	65.3 86.4 94.5	55.2 69.0 71.6	2019	3.5	Y315M-6 Y315L1-6 Y315L1-6	90 / 380 110 / 380 110 / 380
	730	184 321 376	29.6 28.2 27.4	26.9 35.7 39.2	55.2 69.0 71.6	2019	2.3	Y280S-8 Y280M-8 Y315S-8	37 / 380 45 / 380 55 / 380

ZJ型渣浆泵性能参数 Type ZJ selection performance

表6

型号 Type	转速 Speed n (r/min)	流量 Capacity Q (m ³ /h)	扬程 Head H (m)	轴功率 Shaft Power Pa (KW)	效率 Efficiency (%)	重量 Weight (kg)	必需汽 蚀余量 (NPSH)r (m)	配套电机 Matingmotor	
								型号 Type	功率/电压 Power/Volt KW/V
150ZJ-I-A50	980	230	43.1	42.6	63.3	1735	3.0	Y280M-6	55 / 380
		380	40.0	55.2	75.0			Y315S-6	75 / 380
460		37.8	61.7	76.8	Y315S-6			75 / 380	
730	171	23.9	17.6	63.3	1648	2.5	Y250M-8	30 / 380	
	283	22.2	22.8	75.0			Y250M-8	30 / 380	
	343	21.0	25.5	76.8			Y280S-8	37 / 380	
150ZJ-I-A48	980	221	39.7	38.4	62.3	1728	3.0	Y280M-6	55 / 380
		365	36.9	49.6	74.0			Y315S-6	75 / 380
		442	34.8	55.3	75.8			Y315S-6	75 / 380
730	164	22.0	15.8	62.3	1641	2.5	Y225M-8	22 / 380	
	272	20.5	20.5	74.0			Y250M-8	30 / 380	
	329	19.4	22.9	75.8			Y250M-8	30 / 380	
150ZJ-I-C42	1480	300	62.8	80.2	64.0	1605	4.5	Y315S-4	110 / 380
		450	58.0	96.1	74.0			Y315M-4	132 / 380
		550	54.3	106.5	76.4			Y315M-4	132 / 380
980	199	27.5	23.3	64.0	1518	2.2	Y225M-6	30 / 380	
	298	25.4	27.9	74.0			Y250M-6	37 / 380	
	364	23.8	30.9	76.4			Y280S-6	45 / 380	
100ZJ-I-A50	1480	180	100.2	85.7	57.3	1475	4.5	Y315S-4	110 / 380
		300	95.0	113.3	68.5			Y315M-4	132 / 380
		360	91.6	131.7	68.2			Y315L1-4	160 / 380
980	119	43.9	24.8	57.3	1388	2.5	Y225M-6	30 / 380	
	219	41.7	33.0	68.5			Y280S-6	45 / 380	
	238	40.2	38.2	68.2			Y280M-6	55 / 380	
100ZJ-I-A46	1480	166	84.8	69.3	55.3	1461	4.2	Y280M-4	90 / 380
		276	80.4	90.9	66.5			Y315S-4	110 / 380
		331	77.5	105.5	66.2			Y315M-4	132 / 380
980	109	37.2	20.0	55.3	1374	2.3	Y225M-6	30 / 380	
	183	35.3	26.5	66.5			Y250M-6	37 / 380	
	219	34.0	30.6	66.2			Y250M-6	37 / 380	
100ZJ-I-A42	1480	140	70.8	50.3	53.7	1075	4.0	Y280S-4	75 / 380
		245	67.0	65.7	68.0			Y280M-4	90 / 380
		275	65.5	69.7	70.4			Y280M-4	90 / 380
980	93	31.0	14.6	53.7	1021	2.5	Y200L2-6	22 / 380	
	162	29.4	19.1	68.0			Y225M-6	30 / 380	
	182	28.7	20.2	70.4			Y225M-6	30 / 380	
100ZJ-I-B42	1480	176	66.8	55.7	57.5	1085	5.1	Y280S-4	75 / 380
		309	60.5	73.3	69.5			Y280M-4	90 / 380
		365	56.9	79.0	71.6			Y280M-4	90 / 380
980	117	29.3	16.2	57.5	1031	2.5	Y200L2-6	22 / 380	
	205	26.5	21.3	69.5			Y225M-6	30 / 380	
	242	24.8	22.9	71.6			Y225M-6	30 / 380	
100ZJ-I-A39	1480	130	61.0	41.8	51.7	1064	3.8	Y250M-4	55 / 380
		228	57.8	54.4	66.0			Y280S-4	75 / 380
		255	56.2	57.4	68.4			Y280S-4	75 / 380
980	86	26.7	12.1	51.7	1010	2.4	Y200L1-6	18.5 / 380	
	150	25.4	15.7	66.0			Y200L2-6	22 / 380	
	169	24.7	16.6	68.4			Y225M-6	30 / 380	

ZJ型渣浆泵性能参数 Type ZJ selection performance

表7

型号 Type	转速 Speed n (r/min)	流量 Capacity Q (m ³ /h)	扬程 Head H (m)	轴功率 Shaft Power Pa (KW)	效率 Efficiency (%)	重量 Weight (kg)	必需汽 蚀余量 (NPSH)r (m)	配套电机 Matingmotor	
								型号 Type	功率/电压 Power/Volt KW/V
100ZJ-I-A36	1480	130	49.5	28.9	60.7	1010	3.5	Y225S-4	37 / 380
		220	45.0	38.0	71.0			Y250M-4	55 / 380
245		43.4	40.4	71.6	Y250M-4			55 / 380	
980	86	21.7	8.4	60.7	956	2.0	Y180L-6	15 / 380	
	146	19.7	11.0	71.0			Y180L-6	15 / 380	
	162	19.0	11.7	71.6			Y200L1-6	18.5 / 380	
100ZJ-I-A33	1480	119	41.6	23.0	58.7	1003	3.2	Y200L-4	30 / 380
		202	37.8	30.1	69.0			Y225S-4	37 / 380
		225	36.5	32.1	69.6			Y225M-4	45 / 380
980	79	18.2	6.7	58.7	949	1.8	Y160L-6	11 / 380	
	134	16.6	8.8	69.0			Y180L-6	15 / 380	
	149	16.0	9.3	69.6			Y180L-6	15 / 380	
80ZJ-I-A52	1480	107	109.8	82.5	38.8	1465	4.3	Y315S-4	110 / 380
		182	105.5	100.6	52.0			Y315M-4	132 / 380
		242	99.0	115.9	56.3			Y315L1-4	160 / 380
980	71	48.1	24.0	38.8	1378	2.1	Y225M-6	30 / 380	
	121	46.3	29.3	52.0			Y250M-6	37 / 380	
	160	43.4	33.6	56.3			Y280S-6	45 / 380	
80ZJ-I-A42	1480	130	70.3	41.8	59.6	1053	4.2	Y250M-4	55 / 380
		170	67.2	47.9	65.0			Y280S-4	75 / 380
		204	64.2	53.5	66.7			Y280S-4	75 / 380
980	86	30.9	12.1	59.6	963	2.5	Y200L1-6	18.5 / 380	
	113	29.2	14.0	65.0			Y200L2-6	22 / 380	
	135	28.1	15.5	66.7			Y200L2-6	22 / 380	
80ZJ-I-A39	1480	121	60.7	34.7	57.6	1042	4.0	Y225M-4	45 / 380
		158	57.9	39.5	63.0			Y250M-4	55 / 380
		189	55.4	44.1	64.7			Y250M-4	55 / 380
980	80	26.6	10.1	57.6	952	2.4	Y180L-6	15 / 380	
	105	25.4	11.5	63.0			Y200L1-6	18.5 / 380	
	125	24.2	12.8	64.7			Y200L1-6	18.5 / 380	
80ZJ-I-A36	1480	98	51.4	23.6	58.2	980	3.7	Y200L-4	30 / 380
		140	48.0	27.7	66.0			Y225S-4	37 / 380
		190	42.7	32.6	67.7			Y225M-4	45 / 380
980	65	22.5	6.8	58.2	926	2.5	Y160L-6	11 / 380	
	93	21.0	8.1	66.0			Y160L-6	11 / 380	
	126	18.7	9.5	67.7			Y180L-6	15 / 380	
80ZJ-I-A33	1480	90	43.2	18.8	56.2	973	3.4	Y200L-4	30 / 380
		128	40.3	21.9	64.0			Y200L-4	30 / 380
		174	35.9	25.9	65.7			Y225S-4	37 / 380
980	60	18.9	5.5	56.2	919	2.3	Y160M-6	7.5 / 380	
	85	17.6	6.4	64.0			Y160L-6	11 / 380	
	116	15.7	7.5	65.7			Y160L-6	11 / 380	
65ZJ-I-A30	1460	47	34.8	7.9	56.2	504	3.0	Y160M-4	11 / 380
		62	33.9	9.2	62.0			Y160L-4	15 / 380
		79	32.0	10.8	63.5			Y160L-4	15 / 380
960	31	15.0	2.3	56.2	512	2.0	Y132M1-6	4 / 380	
	41	14.7	2.6	62.0			Y132M2-6	5.5 / 380	
	52	13.8	3.1	63.5			Y132M2-6	5.5 / 380	

ZJ型渣浆泵性能参数 Type ZJ selection performance

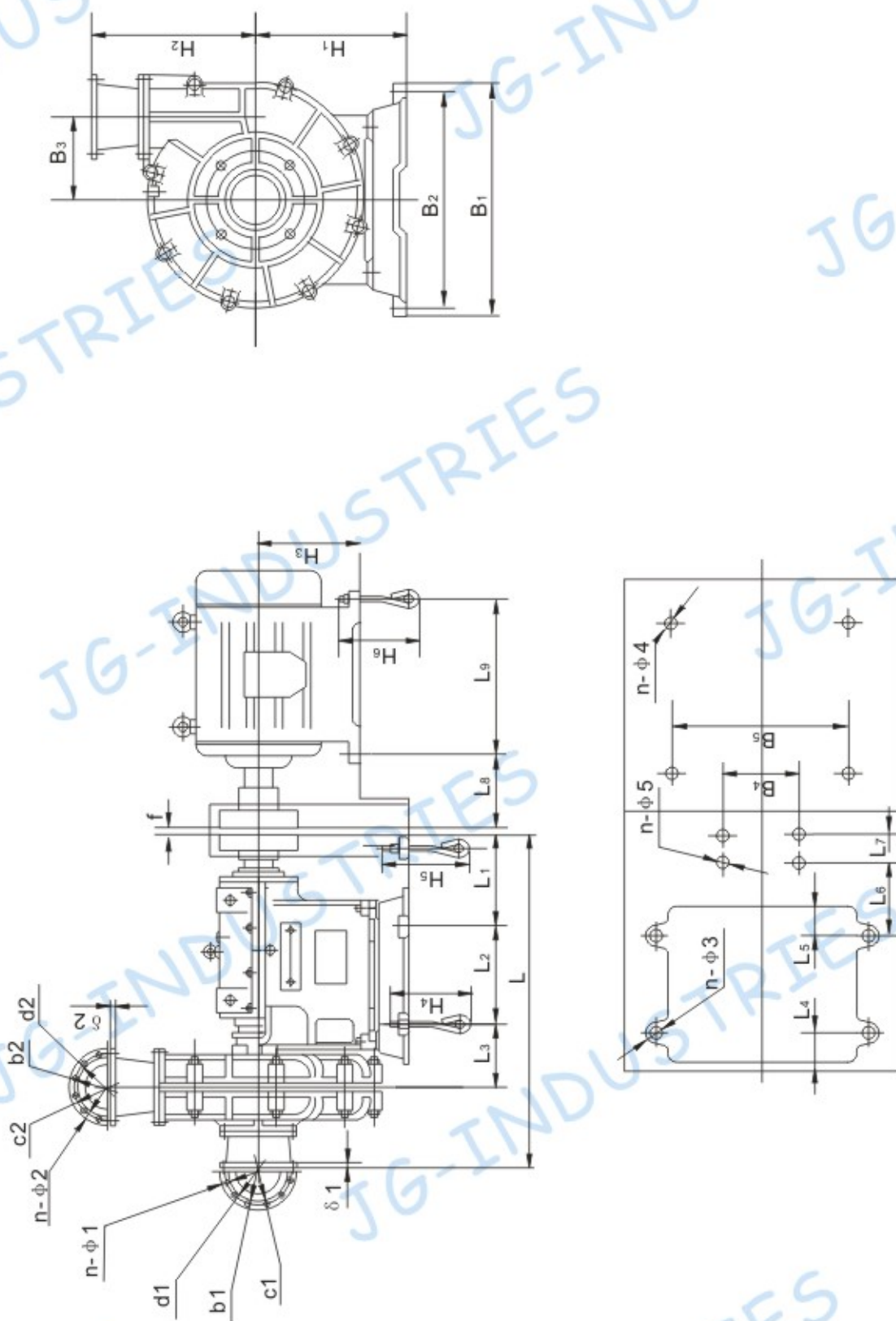
表8

型号 Type	转速 Speed n (r/min)	流量 Capacity Q (m ³ /h)	扬程 Head H (m)	轴功率 Shaft Power Pa (KW)	效率 Efficiency (%)	重量 Weight (kg)	必需汽 蚀余量 (NPSH)r (m)	配套电机 Matingmotor	
								型号 Type	功率/电压 Power/Volt KW/V
65ZJ-I-A27	1460	42	28.2	6.0	54.2	500	2.7	Y160M-4	11 / 380
		56	27.5	7.0	60.0			Y160M-4	11 / 380
71		25.9	8.1	61.5	Y160M-4			11 / 380	
65ZJ-I-A27	960	28	12.2	1.7	54.2	508	1.8	Y132S-6	3 / 380
		37	11.9	2.0	60.0			Y132M1-6	4 / 380
		47	11.2	2.3	61.5			Y132M1-6	4 / 380
50ZJ-I-A50	1480	57	110.7	50.7	33.9	1378	3.8	Y280S-4	75 / 380
		91	105.5	60.9	42.9			Y280S-4	75 / 380
		111	99.8	66.9	45.1			Y280M-4	90 / 380
50ZJ-I-A50	980	38	48.5	14.8	33.9	1378	3.0	Y200L2-6	22 / 380
		60	46.3	17.6	42.9			Y225M-6	30 / 380
		74	43.8	19.6	45.1			Y225M-6	30 / 380
50ZJ-I-A46	1480	48	85.8	34.8	32.2	1082	2.9	Y225M-4	45 / 380
		77	82.3	41.4	41.7			Y250M-4	55 / 380
		94	79.9	45.8	44.7			Y250M-4	55 / 380
50ZJ-I-A46	970	31	36.9	9.7	32.2	992	1.4	Y180L-6	15 / 380
		50	35.4	11.6	41.7			Y180L-6	15 / 380
		62	34.3	13.0	44.7			Y200L1-6	18.5 / 380
50ZJ-I-A33	1480	26	42.5	9.2	32.8	537	6.0	Y160L-4	15 / 380
		40	40.0	10.7	40.6			Y180M-4	18.5 / 380
		54	34.5	12.3	41.4			Y180M-4	18.5 / 380
50ZJ-I-A33	960	17	17.9	2.5	32.8	545	2.9	Y132M1-6	4 / 380
		26	16.8	2.9	40.6			Y132M2-6	5.5 / 380
		35	14.5	3.3	41.4			Y132M2-6	5.5 / 380
40ZJ-I-A19	2930	16.3	57.1	6.5	39.2	173	4.9	Y160M1-2	11 / 380
		30.0	54.9	8.1	55.4			Y160M1-2	11 / 380
		34.9	53.7	8.7	58.8			Y160M1-2	11 / 380
40ZJ-I-A19	1430	8.0	13.6	0.8	39.2	173	1.3	Y90L-4	1.5 / 380
		14.6	13.1	0.9	55.4			Y90L-4	1.5 / 380
		17.0	12.8	1.0	58.8			Y100L1-4	2.2 / 380
40ZJ-I-A17	2900	9.4	44.6	3.4	33.2	121	4.5	Y132S1-2	5.5 / 380
		17.9	42.7	4.2	49.5			Y132S2-2	7.5 / 380
		23.4	39.3	4.8	52.4			Y132S2-2	7.5 / 380
40ZJ-I-A17	1400	4.5	10.3	0.4	33.2	127	2.5	Y801-4	0.55 / 380
		8.6	9.9	0.5	49.5			Y90S-4	1.1 / 380
		11.3	9.1	0.5	52.4			Y90S-4	1.1 / 380

ZJL型渣浆泵性能参数 Type ZJL selection performance

型号 Type	转速 Speed n (r/min)	流量 Capacity Q (m ³ /h)	扬程 Head H (m)	轴功率 Shaft Power Pa (KW)	效率 Efficiency η (%)	重量 Weight (kg)	配套电机 Matingmotor
150ZJL-A3	980	198	17.9	15.3	63.1	800	Y250M-6 V1 380V 37KW
		332	13.2	17.5	68.1		
		364	12.1	18.0	66.8		
150ZJL-A3	730	147	10.0	6.3	63.1	800	Y200L-8 V1 380V 15KW
		247	7.3	7.2	68.1		
		271	6.7	7.4	66.8		
150ZJL-A3	590	119	6.5	3.3	63.1	800	Y160M-683 380V 11KW
		200	4.8	3.8	68.1		
		219	4.4	3.9	66.8		
100ZJL-A34	1480	157	36.8	26.1	60.2	630	Y225M-4 V1 380V 45KW
		214	32.6	29.2	65.1		
100ZJL-A34	970	103	15.8	7.4	60.2	630	Y180L-6 V1 380V 15KW
		140	14.0	8.2	65.1		
100ZJL-A34	970	192	10.5	9.4	58.2	630	Y180L-6 V1 380V 15KW
80ZJL-A36	1480	105	45.5	25.0	52.1	650	Y225M-4 V1 380V 45KW
		144	41.4	27.9	58.2		
		201	32.5	32.8	54.2		
80ZJL-A36	970	69	19.5	7.0	52.1	650	Y180L-6 V1 380V 15KW
		94	17.8	7.8	58.2		
		132	14.0	9.3	54.2		
65ZJL-A30	1470	38	34.7	8.2	43.7	440	Y180M-4 V1 380V 18.5KW
		58	31.9	9.7	51.9		
		98	26.0	13.4	51.7		
65ZJL-A30	960	25	14.8	2.3	43.7	440	Y132M2-6 B5 380V 5.5KW
		38	13.6	2.7	51.9		
		67	11.1	3.7	51.7		
50ZJL-A20	1440	17.1	10.7	1.4	34.9	240	Y112M-6B5 380V 5.5KW
		24.7	9.2	1.6	38.6		
		38.0	6.0	2.0	31.2		
50ZJL-A20	910	10.8	4.3	0.4	34.9	240	Y90L-6 B5 380V 1.1KW
		15.6	3.7	0.4	38.6		
		24.0	2.4	0.5	31.2		
40ZJL-B25	1440	10.1	21.5	2.3	26.1	225	Y132S-4V1 380V 5.5KW
		18.4	19.0	2.6	36.6		
		22.9	16.8	2.8	37.6		
40ZJL-B25	910	6.4	8.6	0.6	26.1	225	Y90L-6V1 380V 1.1KW
		11.6	7.6	0.7	36.6		
		14.5	6.7	0.7	37.6		
50ZJL-A21	1440	9.5	17.0	1.6	27.9	210	Y112M-4V1 380V 4.0KW
		20.3	15.3	2.0	42.4		
		25.9	14.1	2.2	44.6		
50ZJL-A21	910	6.0	6.8	0.4	27.9	210	Y90L-6KW 380V 1.1KW
		12.8	6.1	0.5	42.4		
		16.4	5.6	0.6	44.6		

ZJ 型渣浆泵直联传动安装图(单独底座)
Installation Drawing of Directly-Coupled ZJ Slurry Pumps (Single Base)



ZJ 型渣浆泵直联传动安装尺寸(单独底座) (1)
Installation Dimension of Directly-Coupled ZJ Slurry Pumps (Single Base)

项目 Item 型号 type	电动机 motor		L ₈	L ₉	B ₅	H ₅	H ₆	n-φ4	L	L ₂ / L ₃	L ₄ / L ₅	L ₆ / L ₇	B ₁ / B ₂	B ₃ / B ₄	H ₁ / H ₂	H ₃ / H ₄	f n-φ3	n-φ1 d1	b1 c1	δ ₁ / δ ₁	n-φ2 d2	b2 c2	n-φ5		
	型号 Type	功率 capacity																							
250ZJ-I-A83	Y450-6	500	605	1120	800	450	700	4-φ35																	
		710	725	1250	900	500	800	4-φ42																	
	Y400-8	220	545	1000	710	400																			
		280																							
	Y450-8	315					700	4-φ35																	
		500	605	1120	800	450																			
Y450-6	630																								
	710	725	1250	900	500	800	4-φ42		2135	630	230	465	1200	520	900	800	6	12-φ26	φ300	42	12-φ30	φ250		4-φ14	
250ZJ-I-A80	Y500-6	200							582	465	230	240	1100	500	898	300	4-φ40	φ410	φ460	34	φ370	φ425			
		280	545	1000	710	400																			
250ZJ-I-A78	Y560-6	450					700	4-φ35																	
		630	605	1120	800	450																			
250ZJ-I-A75	Y355L1-8	185	424	630	610	355	630	4-φ28	1950																
		250								454															
	Y400-8	280	545	1000	710	400																			
		315					700	4-φ35																	
	Y450-6	450	605	1120	800	450																			
		560																							
Y355M1-8	132	560	1120	800	450				1913	630	200	337	460	810				12-φ23			34	12-φ25	φ250		
	185	424	630	610	355	630	4-φ28		454	392	170	240	500	818				φ410			32	φ335	φ405		
Y400-8	220	545	1000	710	400	700	4-φ35																		

注：配用其他型号电机，应将电机部分安装尺寸做相应更改
Note: with other types of motors, motor parts should be installed size change accordingly

ZJ 型渣浆泵直联传动安装尺寸(单独底座) (2)
Installation Dimension of Directly-Coupled ZJ Slurry Pumps (Single Base)

项目 Item 型号 type	电动机 motor 功率 capacity 型号 type		L ₈	L ₉	B ₅	H ₃	H ₆	n-φ4	L	L ₂ / L ₃	L ₄ / L ₅	L ₆ / L ₇	B ₁ / B ₂	B ₃ / B ₄	H ₁ / H ₂	H ₃ / H ₄	f n-φ3	n-φ1 d1	b1 c1	δ ₁ / δ ₁	n-φ2 d2	b2 c2	n-φ5		
	280	400																							
250ZJ-A73	Y400-6	280	545	1000	710	400	700	4-φ35																	
		400	605	1120	800	450																			
	Y355M1-8	132	560																						
		185	424	610	355	630	630	4-φ28																	
	Y355L2-8	200																							
250ZJ-A70	Y400-6	280	545	1000	710	400	700	4-φ35																	
		400	605	1120	800	450																			
	Y450-6	450	386	508	508	315																			
		110	386	508	508	315																			
	Y315L2-8	160	560																						
Y322M2-8	185	424	610	355	630	630	4-φ28																		
250ZJ-A68	Y355-6	250	525	900	630																				
		355	545	1000	710	400	700	4-φ35																	
	Y450-6	450	386	508	508	315																			
		110	386	508	508	315																			
	Y315L2-8	160	560																						
Y355M2-8	185	424	610	355	630	630	4-φ28																		
250ZJ-A65	Y355-6	220	525	900	630																				
		280	545	1000	710	400	700	4-φ35																	
	Y400-6	315																							
		90	386	508	508	315																			
	Y315L1-8	132	424	560	610	355	630	4-φ28																	

注：配用其他型号电机，应将电机部分安装尺寸做相应更改
Note: with other types of motors, motor parts should be installed size change accordingly

ZJ 型渣浆泵直联传动安装尺寸(单独底座) (3)
Installation Dimension of Directly-Coupled ZJ Slurry Pumps (Single Base)

项目 item 型号 type	电动机 motor 功率 capacity 型号 type		L ₈	L ₉	B ₅	H ₃	H ₆	n-φ4	L L ₁	L ₂ L ₃	L ₄ L ₅	L ₆ L ₇	B ₁ B ₂	B ₃ B ₄	H ₁ H ₂	H ₃ H ₄	f n-φ3	n-φ1 d1	b1 c1	δ ₁ δ ₁	n-φ2 d2	b2 c2	n-φ5		
	200	250																							
250ZJ-A63	Y355-6	200	525	900	630	355	630	4-φ28																	
		250																							
	Y400-6	315	545	1000	710	400	700	4-φ35																	
		90	386	508	508	315				1913	630	200	337			410	810								
		110								454	392	170	240			500	748								
250ZJ-A60	Y355M1-8	132					630	4-φ28																	
		185	424	560	610	355	630																		
	Y355L2-6	250	630																						
		280	545	1000	710	400	700	4-φ35																	
		75	457							1200															
200ZJ-A85	Y400-6	400	545	1000	710	400	700	4-φ35																	
		560	605	1120	800	450	700																		
	Y355M2-8	160	424	560	610	355	630	4-φ28																	
		220	545	1000	710	400	700	4-φ35																	
		250	525	900	630	355	630	4-φ28																	
200ZJ-A75	Y400-6	355	545	1000	710	400	700	4-φ35																	
		110	386	508	508	315	630																		
	Y355M1-8	132	424	560	610	355	630	4-φ28																	
		160																							

注：配用其他型号电机，应将电机部分安装尺寸做相应更改
Note: with other types of motors, motor parts should be installed size change accordingly

ZJ 型渣浆泵直联传动安装尺寸(单独底座) (4)
Installation Dimension of Directly-Coupled ZJ Slurry Pumps (Single Base)

项目 型号	电动机 motor		L ₈	L ₉	B ₅	H ₃	H ₆	n-φ4	L	L ₂ / L ₃	L ₄ / L ₅	L ₆ / L ₇	B ₁ / B ₂	B ₃ / B ₄	H ₁ / H ₂	H ₃ / H ₄	f n-φ3	n-φ1 d1	b1 c1	δ ₁ / δ ₁	n-φ2 d2	b2 c2	n-φ5		
	型号 type	功率 capacity																							
200ZJ-A73	Y355-6	250	525	900	630	355	630	4-φ28	1753	640	125	257	1200	440	650				φ250 φ405	30 32	12-φ25 φ310				
		315	545	1000	710	400	700	4-φ35																374	323
	Y400-6	355																							
		110	386	508	508	315	630	4-φ28																	
	Y355M1-8	132																							
		160	424	560	610	355	630	4-φ35																	
Y355M3-6	200																								
200ZJ-A70	Y400-6	280	545	1000	710	400	700	4-φ35	1050	420	710	800							φ200 φ360						
		315	386	508	508	315	630	4-φ28																	950
	Y315L1-8	90	386	508	508	315	630	4-φ28																	
		132	424	560	610	355	630	4-φ35																	
	Y355M1-8	200																							
		250	525	900	630	355	630	4-φ28																	
Y355M3-6	250	525	900	630	355	630	4-φ28																		
	315	545	1000	710	400	700	4-φ35																		
200ZJ-A68	Y355-6	250	525	900	630	355	630	4-φ28	1590	510	157	271							φ250 φ390	24 36	12-φ26 φ310				
		315	545	1000	710	400	700	4-φ35																368	355
	Y400-6	315																							
		90	386	508	508	315	630	4-φ28																	
	Y315L1-8	90	386	508	508	315	630	4-φ28																	
		110	424	560	610	355	630	4-φ35																	
Y355M1-8	132																								
	185	424	560	610	355	630	4-φ35																		
200ZJ-A65	Y355-6	250	525	900	630	355	630	4-φ28	1000	400	660								φ250 φ390	24 36	12-φ26 φ310				
		315	545	1000	710	400	700	4-φ35																900	420
	Y315M-8	75	457	508	508	315	630	4-φ28																	
		110	386	508	508	315	630	4-φ28																	

注：配用其他型号电机，应将电机部分安装尺寸做相应更改
Note: with other types of motors, motor parts should be installed size change accordingly

ZJ 型渣浆泵直联传动安装尺寸(单独底座) (5)
Installation Dimension of Directly-Coupled ZJ Slurry Pumps (Single Base)

项目 型号	电动机 ^{motor}		L ₈	L ₉	B ₅	H ₃	H ₆	n-φ4	L	L ₂ / L ₃	L ₄ / L ₅	L ₆ / L ₇	B ₁ / B ₂	B ₃ / B ₄	H ₁ / H ₂	H ₃ / H ₄	f n-φ3	n-φ1 d1	b1 c1	δ ₁ / δ ₁	n-φ2 d2	b2 c2	n-φ5		
	型号 Type	功率 capacity																							
200ZJ-A63	Y355M1-6	160	424	560	610																				
		220	525	900	630	355																			
	Y355-6	250																							
		75	457																						
200ZJ-A60	Y315L2-8	110	386	508	315																				
		132		508																					
	Y355M2-6	185	424	560	610	355																			
		75	457																						
202JU-A60	Y315L1-8	90	386	508	315		630	4-φ28																	
		160																							
	Y355M2-6	185	424	560	610	355																			
		200																							
200ZJ-A68	Y315M1-8	75																							
		90	386	508	315																				
	Y315L2-6	132																							
		160	424	560	610	355																			
Y355M2-6	185																								
	55	406	508	315																					
Y315M-8	75	386	508	315																					

注：配用其他型号电机，应将电机部分安装尺寸做相应更改
Note: with other types of motors, motor parts should be installed size change accordingly

ZJ 型渣浆泵直联传动安装尺寸(单独底座) (6)
Installation Dimension of Directly-Coupled ZJ Slurry Pumps (Single Base)

项目 型号	电动机 功率 capacity		L ₈	L ₉	B ₅	H ₃	H ₆	n-φ4	L L ₁	L ₂ L ₃	L ₄ L ₅	L ₆ L ₇	B ₁ B ₂	B ₃ B ₄	H ₁ H ₂	H ₃ H ₄	f n-φ3	n-φ1 d1	b1 c1	δ ₁ δ ₁	n-φ2 d2	b2 c2	n-φ5	
	型号	容量																						
150ZJ-I-A71	Y355M1-6	160	560	610	355				1585	510			416	600										
	Y355L1-6	220	424	630					368	354			420	760										
	Y315M1-8	75		457	508	315																		
	Y315M2-8	90	386																					
150ZJ-I-A70	Y315L2-6	132		508																				
	Y355M1-6	160	424	560	610	355			1602	510			410	660										
	Y355M2-6	185		406					368	331			420	748										
	Y315S-8	55	386	457	508	315																		
150ZJ-I-A65	Y315M-8	75	386	457	508	315	630	4-φ28				271												
	Y315L2-6	132		508																				
	Y355M2-6	185	424	560	610	355							1000											
	Y355M3-6	200		457									900											
150ZJ-I-A63	Y315M-8	75	386	457	508	315																		
	Y315L1-8	90		508					1570	510			380	660										
	Y315L2-6	132		508					368	343				420	678									
	Y355M1-6	160	424	560	610	355																		
150ZJ-I-A60	Y355M2-6	185		406																				
	Y315S-8	55	386	457	508	315																		
	Y315M-8	75	386	457	508	315																		
	Y315L1-6	110		508																				
150ZJ-I-A60	Y315L2-6	132		508																				
	Y355M1-6	160	424	560	610	355			1517	510			258	660										
	Y280M-8	45	330	419	457	280	500	4-φ24	355	360				420	658									
	Y315S-8	55	386	406	508	315	630	4-φ24																
Y315M-8	75	457																						

注：配用其他型号电机，应将电机部分安装尺寸做相应更改
Note: with other types of motors, motor parts should be installed size change accordingly

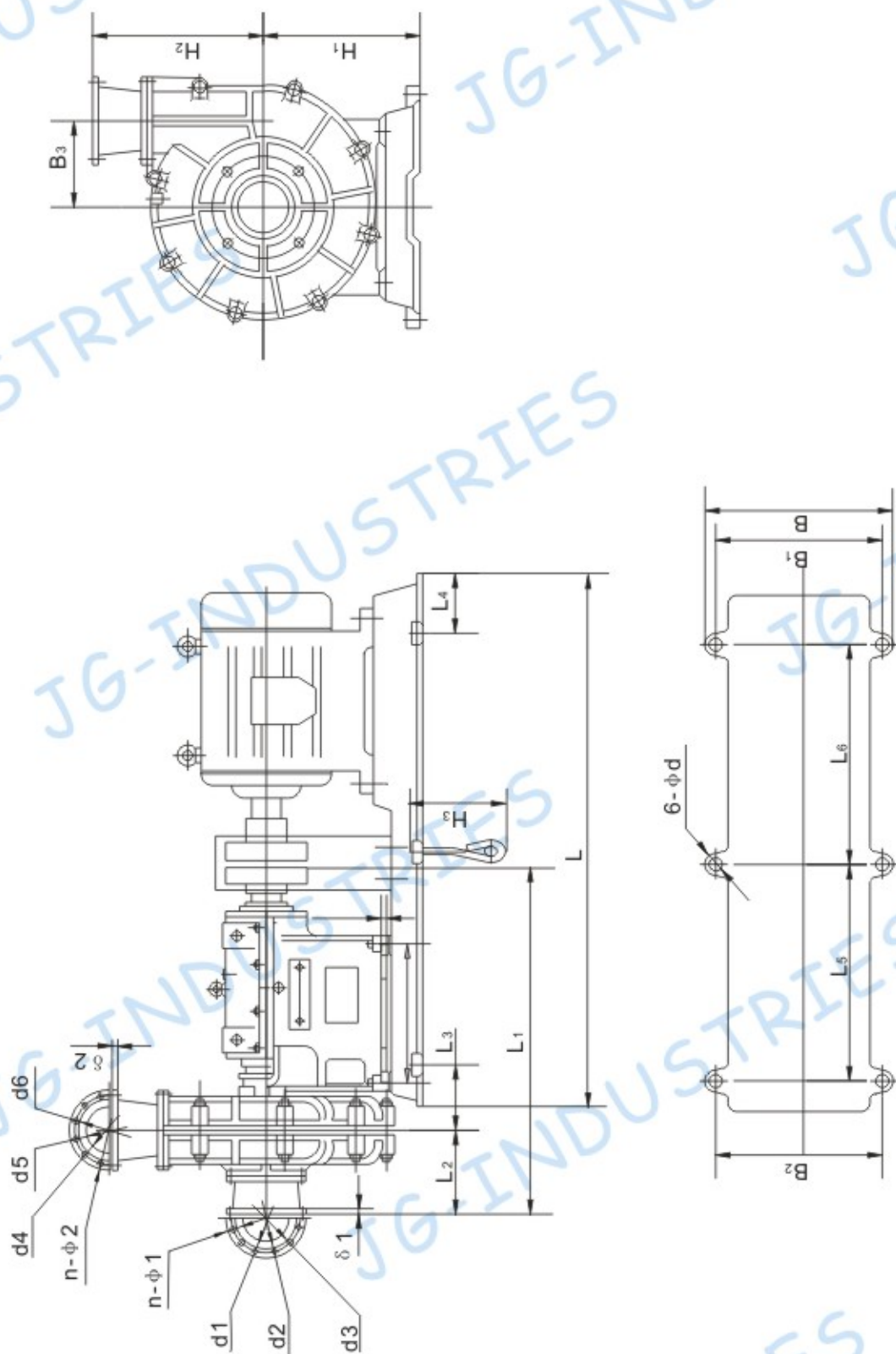
ZJ 型渣浆泵直联传动安装尺寸(单独底座) (7)
Installation Dimension of Directly-Coupled ZJ Slurry Pumps (Single Base)

项目 型号	电动机 功率 capacity		L ₈	L ₉	B ₅	H ₃	H ₆	n-φ4	L	L ₂ / L ₃	L ₄ / L ₅	L ₆ / L ₇	B ₁ / B ₂	B ₃ / B ₄	H ₁ / H ₂	H ₃ / H ₄	f n-φ3	n-φ1 d1	b1 c1	δ ₁ / δ ₁	n-φ2 d2	b2 c2	n-φ5		
	型号 type	容量 capacity																							
150ZJ-A58	Y315M-6	90	457																						
		386	508	315	630	4-φ28																			
	Y315L2-6	132	508																						
		330	368	457	500	4-φ24																			
150ZJ-A55	Y280S-8	37	406						1571	510															
		386	457	508	630	4-φ28																			
	Y315M-6	90	508																						
		330	368	457	500	4-φ24																			
150ZJ-C58	Y315L1-6	110	508																						
		368	457	280	500	4-φ24																			
	Y280S-8	37	368																						
		330	419	457	500	4-φ28																			
150ZJ-A57	Y315S-8	55	406																						
		386	508	315	630	4-φ28																			
	Y315M-8	75	457	508	630	4-φ28																			
		330	419	457	500	4-φ24																			
150ZJ-A57	Y315M-6	90	508																						
		368	457	280	500	4-φ24																			
	Y280S-8	37	368																						
		330	419	457	500	4-φ28																			
Y315S-8	55	386	406	508	315	630	4-φ28																		
	330	419	457	500	4-φ24																				

注：配用其他型号电机，应将电机部分安装尺寸做相应更改
Note: with other types of motors, motor parts should be installed size change accordingly

ZJ 型渣浆泵直联传动安装图(共同底座)

Installation Drawing of Directly-Coupled ZJ Slurry Pumps (Common Base)



ZJ 型渣浆泵直联传动安装尺寸(共同底座) (1)
Installation Dimension of Directly-Coupled ZJ Slurry Pumps (Common Base)

项目 型号	电动机 motor		L ₁	L ₂	L ₃	L ₄	L ₅	L ₆	B	B ₁	B ₂	B ₃	H ₁	H ₂	H ₃	$\frac{n-\phi 1}{n-\phi 2}$	$\frac{d1}{d4}$	$\frac{d2}{d5}$	$\frac{d3}{d6}$	$\frac{\delta_1}{\delta_2}$	6- ϕ d	
	型号 type	功率 capacity																				
150ZJ-I-A50	Y280M-6	55	1675			110	712	712	822	742												
	Y315S-6	75	1837	338	335	150	766	766	897	897		300										
	Y250M-8	30	1675			110	712	712	822	742												
	Y280S-8	37																				
150ZJ-I-A50	Y315S-6	75	1832			150	766	766	897	817		310										
	Y315M1-6	90		332		150	766	766	897	817												
	Y250M-8	90				110	712	712	822	742												
	Y280S-8	37	1675	338	335	150	766	766	897	817			540		630		$\frac{\phi 200}{\phi 200}$	$\frac{\phi 295}{\phi 295}$	$\frac{\phi 335}{\phi 335}$	$\frac{26}{30}$	6- ϕ 30	
150ZJ-I-A48	Y280M-6	55									680											
	Y315S-6	75	1832			150	766	766	897	817												
	Y225M-8	22				110	712	712	822	742												
	Y250M-8	30	1675	338	335	150	766	766	897	817												
150ZJ-I-C42	Y315S-4	110										300										
	Y315M-4	137				150	766	766	897	817												
	Y225M-6	30		330		110	712	712	822	742												
	Y250M-6	37	1675	337		110	712	712	822	742												
	Y280S-6	45																				

注：配用其他型号电机，应将电机部分安装尺寸做相应更改
Note: with other types of motors, motor parts should be installed size change accordingly

ZJ 型渣浆泵直联传动安装尺寸(共同底座) (2)
Installation Dimension of Directly-Coupled ZJ Slurry Pumps (Common Base)

项目 型号	电动机 _{motor}		L	L ₁	L ₂	L ₃	L ₄	L ₅	L ₆	B	B ₁	B ₂	B ₃	H ₁	H ₂	H ₃	$\frac{n-\phi 1}{n-\phi 2}$	$\frac{d1}{d4}$	$\frac{d2}{d5}$	$\frac{d3}{d6}$	$\frac{\delta_1}{\delta_1}$	6- ϕ d	
	型号 type	功率 capacity																					
100ZJ-A50	Y315S-4	110	1832				150	766	766	897	817												
	Y315M-4	132	1885			203																	
	Y315L1-4	160																					
	Y225M-6	30																					
	Y280S-6	45	1675					712	712	822	742			280	540	548							
	Y280M-6	55																					
100ZJ-A46	Y280M-4	90		1349	371	300	110																
	Y315S-4	110	1832				150	766	766	897	817												
	Y315M-4	132																					
	Y225M-6	30																					
	Y250M-6	37	1675																				
	Y280S-4	75																					
100ZJ-B42	Y280M-4	90	1626				233	135	700	700													
	Y200L2-6	22	1385																				
	Y225M-6	30	1452																				
	Y280S-4	75																					
	Y280M-4	90	1626																				
	Y200L2-6	22	1385																				
100ZJ-A42	Y280M-4	90	1626				233	135	700	700													
	Y200L2-6	22	1385																				
	Y225M-6	30	1452																				
	Y280S-4	75																					
	Y280M-4	90	1626																				
	Y200L2-6	22	1385																				

注：配用其他型号电机，应将电机部分安装尺寸做相应更改
Note: with other types of motors, motor parts should be installed size change accordingly

ZJ 型渣浆泵直联传动安装尺寸(共同底座) (3)
Installation Dimension of Directly-Coupled ZJ Slurry Pumps (Common Base)

项目 型号	电动机 motor		L	L ₁	L ₂	L ₃	L ₄	L ₅	L ₆	B	B ₁	B ₂	B ₃	H ₁	H ₂	H ₃	$\frac{n-\phi 1}{n-\phi 2}$	$\frac{d1}{d4}$	$\frac{d2}{d5}$	$\frac{d3}{d6}$	$\frac{\delta_1}{\delta_1}$	6- ϕd																							
	型号 type	功率 capacity																																											
100ZJ-A39	Y250M-4	55	1555	1179	295	240	128	650	650	760	680	680	280	490	488	630	$\frac{8-\phi 18}{8-\phi 18}$	$\frac{\phi 150}{\phi 150}$	$\frac{\phi 225}{\phi 180}$	$\frac{\phi 260}{\phi 215}$	$\frac{23}{20}$	6- $\phi 30$																							
	Y280S-4	75	1626			233	135	700	700														246	101	625	625	248	222	216	128	650	650	209	135	700	700	227	102	575	575					
	Y200L1-6	18.5	1385	1156	296	247	103	590	590				760	680	680	220	490	468	630	$\frac{8-\phi 18}{8-\phi 18}$	$\frac{\phi 150}{\phi 150}$	$\frac{\phi 225}{\phi 180}$	$\frac{\phi 260}{\phi 215}$	$\frac{26}{20}$	6- $\phi 30$																				
	Y200L2-6	22	1452			243	103	590	590																	223	103	590	590	242	101	625	625	236	128	650	650	247	102	575	575				
	Y225M-6	30	1555			242	101	625	625																	242	101	625	625	242	101	625	625	247	102	575	575	243	103	590	590	242	101	625	625
	Y225M-4	45	1626			247	102	575	575																	247	102	575	575	247	102	575	575	247	102	575	575	247	102	575	575	247	102	575	575
Y250M-4	55	1555	1385	290	290	243	103	590	590	760	680	680	220	490	468	630	$\frac{8-\phi 18}{8-\phi 18}$	$\frac{\phi 150}{\phi 150}$	$\frac{\phi 225}{\phi 180}$	$\frac{\phi 260}{\phi 215}$	$\frac{26}{20}$	6- $\phi 30$																							
Y280S-4	75	1626																					242	101	625	625	242	101	625	625	242	101	625	625	247	102	575	575	243	103	590	590	242	101	625
100ZJ-A42	Y180L-6	15	1355	1385	290	290	243	590	590	760	680	680	220	490	468	630	$\frac{8-\phi 18}{8-\phi 18}$	$\frac{\phi 150}{\phi 150}$	$\frac{\phi 225}{\phi 180}$	$\frac{\phi 260}{\phi 215}$	$\frac{26}{20}$	6- $\phi 30$																							
	Y200L1-6	18.5	1452																				242	101	625	625	242	101	625	625	242	101	625	625	247	102	575	575	243	103	590	590	242	101	625
100ZJ-A36	Y250M-4	55	1555	1385	290	290	243	590	590	760	680	680	220	490	468	630	$\frac{8-\phi 18}{8-\phi 18}$	$\frac{\phi 150}{\phi 150}$	$\frac{\phi 225}{\phi 180}$	$\frac{\phi 260}{\phi 215}$	$\frac{26}{20}$	6- $\phi 30$																							
	Y180L-6	15	1355																				242	101	625	625	242	101	625	625	242	101	625	625	247	102	575	575	243	103	590	590	242	101	625
100ZJ-A33	Y200L1-6	8.5	1385	1452	290	290	243	590	590	760	680	680	220	490	468	630	$\frac{8-\phi 18}{8-\phi 18}$	$\frac{\phi 150}{\phi 150}$	$\frac{\phi 225}{\phi 180}$	$\frac{\phi 260}{\phi 215}$	$\frac{26}{20}$	6- $\phi 30$																							
	Y20G1L-6	30	1555																				242	101	625	625	242	101	625	625	242	101	625	625	247	102	575	575	243	103	590	590	242	101	625
	Y225S-4	37	1452	1355	290	290	243	590	590	760	680	680	220	490	468	630	$\frac{8-\phi 18}{8-\phi 18}$	$\frac{\phi 150}{\phi 150}$	$\frac{\phi 225}{\phi 180}$	$\frac{\phi 260}{\phi 215}$	$\frac{26}{20}$	6- $\phi 30$																							
	Y225M-4	45	1355																				242	101	625	625	242	101	625	625	242	101	625	625	247	102	575	575	243	103	590	590	242	101	625
Y160L-6	11	1355	1355	290	290	243	590	590	760	680	680	220	490	468	630	$\frac{8-\phi 18}{8-\phi 18}$	$\frac{\phi 150}{\phi 150}$	$\frac{\phi 225}{\phi 180}$	$\frac{\phi 260}{\phi 215}$	$\frac{26}{20}$	6- $\phi 30$																								
Y180L-6	15	1355																				242	101	625	625	242	101	625	625	242	101	625	625	247	102	575	575	243	103	590	590	242	101	625	625

注：配用其他型号电机，应将电机部分安装尺寸做相应更改
Note: with other types of motors, motor parts should be installed size change accordingly

ZJ 型渣浆泵直联传动安装尺寸(共同底座) (4)
Installation Dimension of Directly-Coupled ZJ Slurry Pumps (Common Base)

项目 型号	电动机 ^{motor}		L	L ₁	L ₂	L ₃	L ₄	L ₅	L ₆	B	B ₁	B ₂	B ₃	H ₁	H ₂	H ₃	$\frac{n-\phi 1}{n-\phi 2}$	$\frac{d1}{d4}$	$\frac{d2}{d5}$	$\frac{d3}{d6}$	$\frac{\delta_1}{\delta_2}$	6- ϕ d	
	型号 type	功率 capacity																					
80ZJ-A52	Y315S-4	110	1832			301	150	766	766	897	817												
	Y315M-4	132				351	200					300	540	548									
	Y315L1-4	160	1932		358																		
	Y225M-6	30																					
	Y250M-6	37	1675			301	110	712	712	822	742												
	Y280S-6	45																					
80ZJ-A42	Y250M-4	55	1555			229	128	650	650														
	Y280S-4	75	1626			222	135	700	700														
	Y200L1-6	18.5																					
	Y200L2-6	22	1385			236	103	590	590														
	Y225M-4	45																					
	Y250M-4	55	1452			235	101	625	625														
80ZJ-A39	Y180L-6	15	1355			240	102	575	575	760	680												
	Y200L1-6	18.5	1385			236	103	590	590														
	Y200L-4	30																					
	Y225S-4	37	1452			235	101	625	625														
	Y225M-4	45																					
	Y160L-6	11	1355			240	102	575	575														
80ZJ-A36	Y160L-6	11	1355			240	102	575	575														
	Y180L-6	15																					

注：配用其他型号电机，应将电机部分安装尺寸做相应更改
Note: with other types of motors, motor parts should be installed size change accordingly

ZJ 型渣浆泵直联传动安装尺寸(共同底座) (5)
Installation Dimension of Directly-Coupled ZJ Slurry Pumps (Common Base)

项目 item 型号 type	电动机 motor 功率 capacity 型号 type		L	L ₁	L ₂	L ₃	L ₄	L ₅	L ₆	B	B ₁	B ₂	B ₃	H ₁	H ₂	H ₃	$\frac{n-\phi 1}{n-\phi 2}$	$\frac{d1}{d4}$	$\frac{d2}{d5}$	$\frac{d3}{d6}$	$\frac{\delta_1}{\delta_1}$	6- ϕ d	
	30	37																					7.5
80ZJ-I-A33	Y200L-4	30	1385			236	103	590	590														
	Y225S-4	37	1452			235	101	625	625	760	680	690	215	490	468	630	$\frac{8-\phi 18}{4-\phi 18}$	$\frac{\phi 125}{\phi 80}$	$\frac{\phi 200}{\phi 160}$	$\frac{\phi 235}{\phi 195}$	$\frac{20}{20}$	6- ϕ 30	
	Y160M-6	7.5	1156	283		240	102	575	575														
	Y160L-6	11	1355																				
65ZJ-I-A30	Y160M-4																						
	Y160L-4	15																					
	Y132M1-6	4																					
	Y132M2-6	5.5	1140	976	267	196	100	470	470	650	580	580	160	365	452	500	$\frac{4-\phi 18}{4-\phi 18}$	$\frac{\phi 100}{\phi 65}$	$\frac{\phi 170}{\phi 145}$	$\frac{\phi 205}{\phi 180}$	$\frac{21}{23}$	6- ϕ 27	
65ZJ-I-A27	Y160M-4	11																					
	Y132S-6	3																					
	Y132M1-6	4																					
	Y280S-4	75	1780			330	180	710	710	900	820	730	273	540	475		$\frac{8-\phi 18}{4-\phi 18}$	$\frac{\phi 80}{\phi 50}$	$\frac{\phi 169}{\phi 125}$	$\frac{\phi 200}{\phi 165}$	$\frac{20}{20}$	6- ϕ 30	
65ZJ-I-A46	Y280M-4	90		1223	245																		
	Y200L2-6	22																					
	Y225M-6	30	1675			300	110	712	712	822	742												
	Y225M-4	45	1452			238	101	625	625														
50ZJ-I-A46	Y250M-4	55	1555			232	128	650	650	760	680	680	258	490	503		$\frac{8-\phi 18}{8-\phi 18}$	$\frac{\phi 155}{\phi 145}$	$\frac{\phi 200}{\phi 180}$	$\frac{\phi 200}{\phi 180}$	$\frac{22}{22}$		
	Y180L-6	15	1355	1171	295	243	102	575	575														
	Y200L1-6	18.5	1385			239	103	590	590														

注：配用其他型号电机，应将电机部分安装尺寸做相应更改

Note: with other types of motors, motor parts should be installed size change accordingly

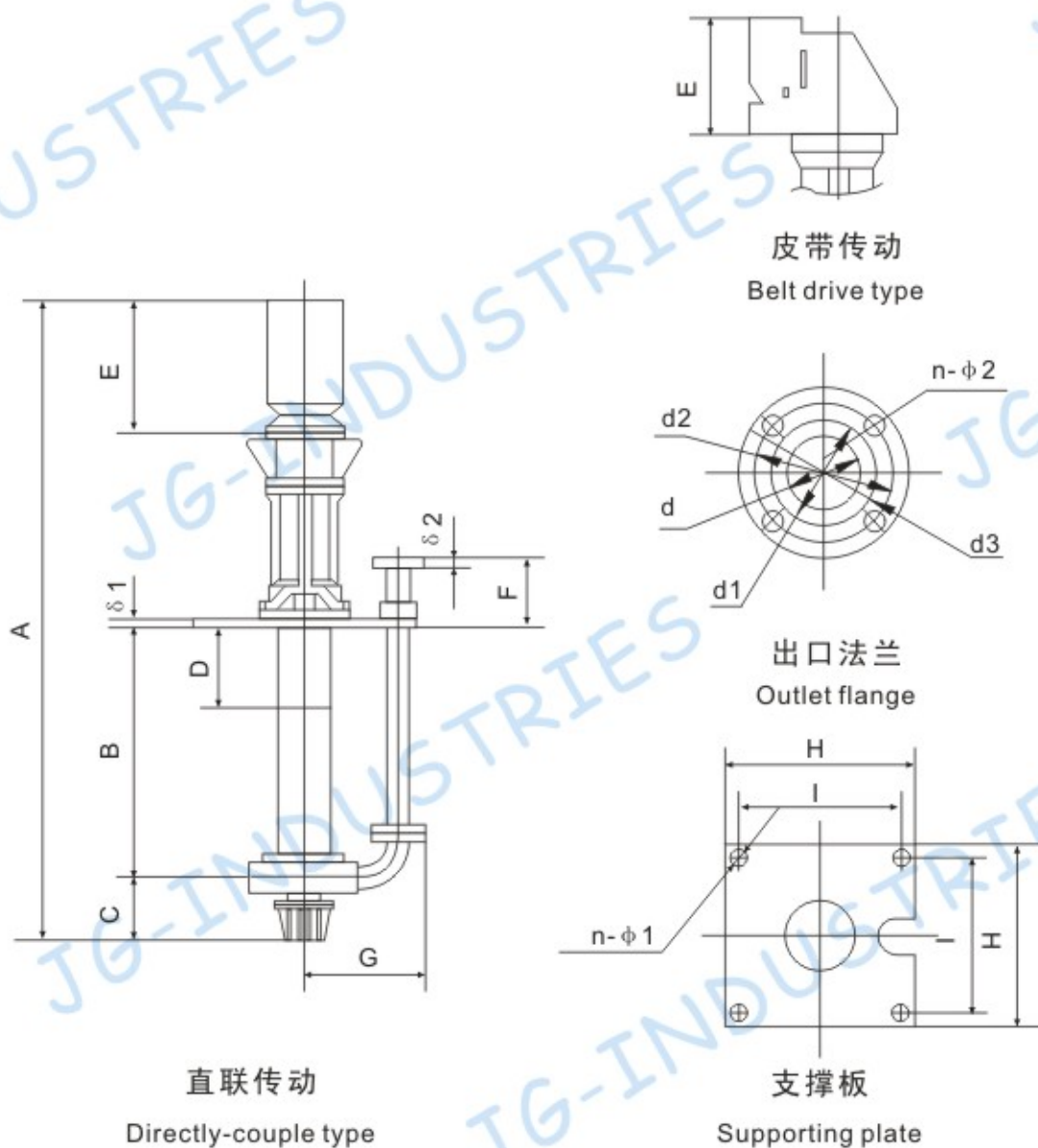
ZJ 型渣浆泵直联传动安装尺寸(共同底座) (6)
Installation Dimension of Directly-Coupled ZJ Slurry Pumps (Common Base)

项目 Item 型号 type	电动机 motor		L	L ₁	L ₂	L ₃	L ₄	L ₅	L ₆	B	B ₁	B ₂	B ₃	H ₁	H ₂	H ₃	$\frac{n-\phi 1}{n-\phi 2}$	$\frac{d1}{d4}$	$\frac{d2}{d5}$	$\frac{d3}{d6}$	$\frac{\delta_1}{\delta_1}$	6- ϕ d
	型号 type	功率 capacity																				
500ZJ-A33	Y160L-4	15	1140	968	259	196	100	470	470	650	580	580	200	365	428	500	$\frac{4-\phi 18}{4-\phi 18}$	$\frac{\phi 80}{\phi 50}$	$\frac{\phi 155}{\phi 145}$	$\frac{\phi 190}{\phi 180}$	$\frac{21}{23}$	6- ϕ 27
	Y180M-4	18.5																				
	Y132M1-6	4																				
	Y132M2-6	5.5																				
40ZJ-A19	Y160M1-2	11	905	596	99	149	90	360	360	450	400	400	112	200	200	300	$\frac{4-\phi 14}{4-\phi 12}$	$\frac{\phi 50}{\phi 40}$	$\frac{\phi 110}{\phi 100}$	$\frac{\phi 140}{\phi 125}$	$\frac{16}{19}$	6- ϕ 14
	Y90L-4	1.5																				
	Y100L1-4	2.2																				
	Y132S1-2	5.6																				
40ZJ-A17	Y132S2-2	7.5	740	591	95	146	30	340	340	260	200	200	100	185	185	300	$\frac{4-\phi 12}{4-\phi 12}$	$\frac{\phi 40}{\phi 40}$	$\frac{\phi 100}{\phi 100}$	$\frac{\phi 125}{\phi 125}$	$\frac{19}{19}$	6- ϕ 14
	Y801-4	0.55																				
	Y90S-4	1.1																				

注：配用其他型号电机，应将电机部分安装尺寸做相应更动
Note: with other types of motors, motor parts should be installed size change accordingly

ZJL 型渣浆泵安装图

The Installation Drawing of ZJL Slurry Pumps



ZJL 型渣浆泵直联传动安装尺寸
Installation Dimension of Directly-Coupled ZJL Slurry Pumps

型号 type	配用电动机 motor	传动 方式 drive type	A	B	C	D	E	F	G	H	I	n-φ1	δ1	泵重 pump weight										
														d	d1	d2	d3	n-φ2	δ2					
150ZJL-A35	Y250M-6 37KW V1	DC	3093				895												1300					
	Y200L-8 15KW V1	DC	2908	1049	360		740	221	610	1150	1080					φ150	φ200	φ225	φ260	8-φ18	22	1190		
	Y160L-6 11KW B3	ZV	2674				702																1046	
100ZJL-A34	Y225M-4 45KW V1	DC	2930				795					4-φ25				φ100	φ145	φ170	φ205				1183	
	Y180L-6 15KW V1	DC	2765	1031	310		660	214	573	1180	1110									4-φ18			1036	
	Y225M-4 45KW V1	DC	2887				795	212	543	1120	1050		25			φ80	φ125	φ150	φ185		18		993	
80ZJL-A36	Y180L-6 15KW V1	DC	2722				660																	864
	Y180M-4 18.5KW V1	DC	2673	1028	270		620	212	416	712	672					φ65	φ115	φ130	φ160				703	
	Y132M2-6 5.5KW B5	DC	2458				435																	614
50ZJL-A20	Y112M-4 4KW B5	DC	1941				340																	293
	Y90L-6 1.1KW B5	DC	1881	814	195		290	141	321							φ50	φ90	φ110	φ140	4-φ14				275
40ZJL-B25	Y132S-4 5.5KW B5	DC	1961				395																	370
	Y90L-6 1.1KW B5	DC	1899	826	210		290	130	334	141	141	4-φ25										16		345
40ZJL-A21	Y112M-4 4KW B5	DC	1961				340									φ40	φ72	φ100	φ132					370
	Y90L-6 1.1KW B5	DC	1901	829	209		290	125	309															345



海/聚/精/工

Sea poly Seiko

Morality and Credit all over the world

德/信/天/下

石家庄精工水泵有限公司

SHIJIAZHUANG SEIKO PUMPS CO.,LTD

地址：中国石家庄市和平东路94号

电话：0311-86079818

传真：0311-86983818

邮编：050000

邮箱：jgpumps@163.com

网址：www.jg-industries.com

<http://blsbkj.cn.alibaba.com>

Addr: No.94 He Ping Eastern-Road,
Shijiazhuang City, China.

Tel: +86-311-86079818

Fax: +86-311-86983818

P.C.: 050000

E-mail: cn.seikopumps@gmail.com

Web: www.jg-industries.com

<http://blsbkj.cn.alibaba.com>